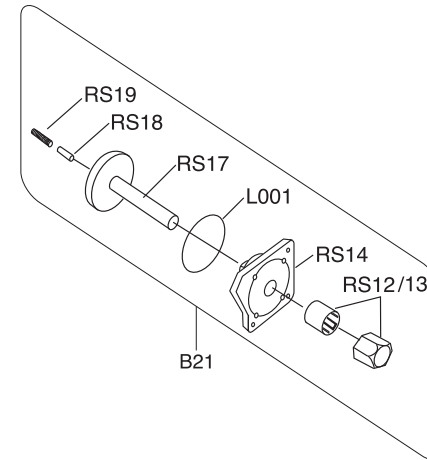
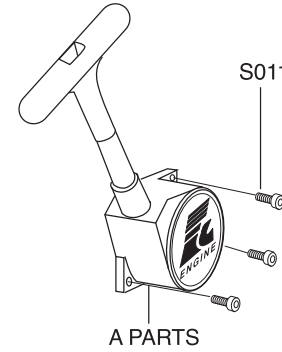
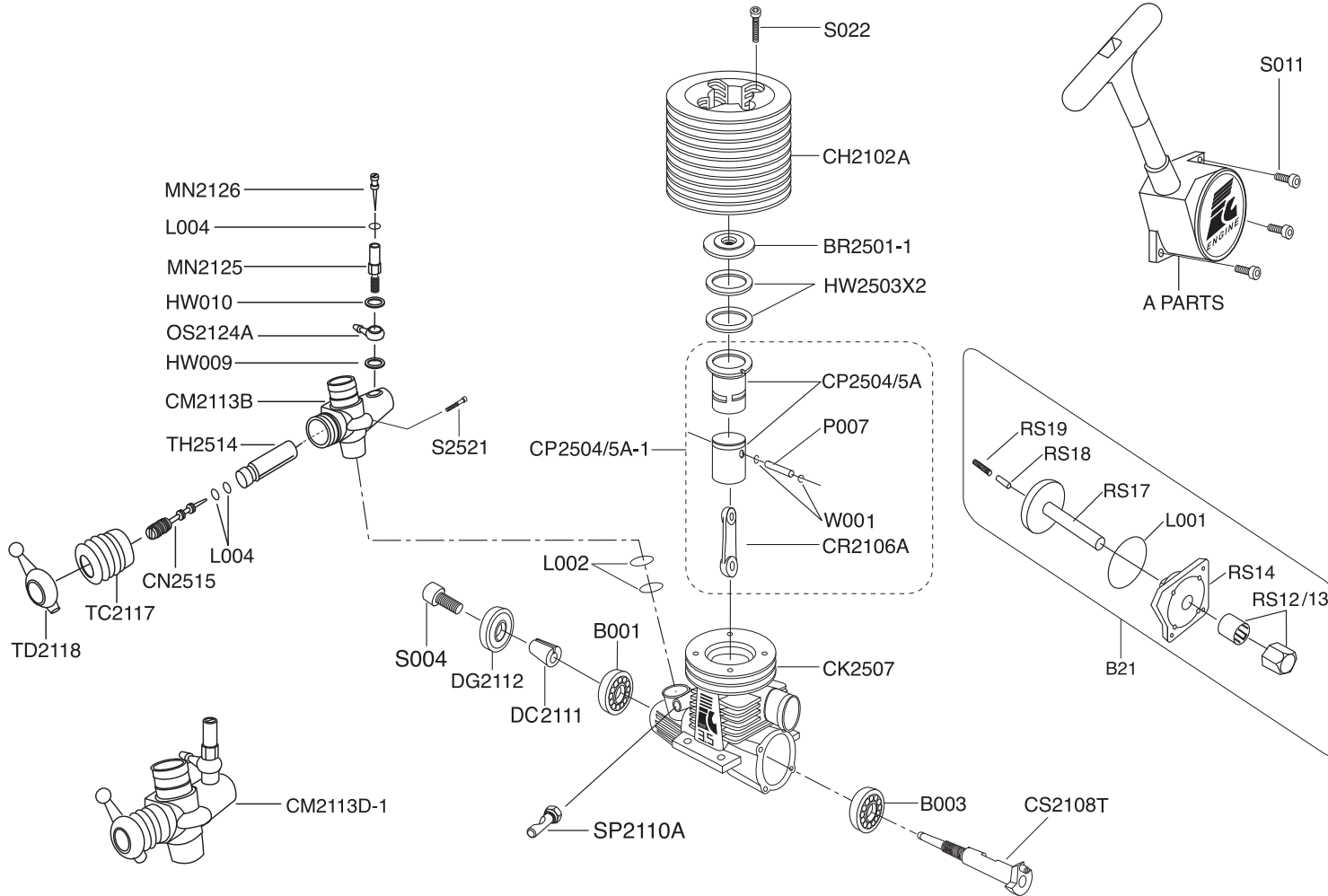




25R/ABC DIVISION PICTURE

Engine Instructions



ITEM NO.	DESCRIPTION
B001	Ball Bearing 607Z
B003	Ball Bearing 6901 13mm
BR2501-1	Burn Room (25R)
CH2102A	Cylinder Head Black Colour
CK2507	Crankcase 25R
CM2113B	Composite Carburetor Main Body
CM2113D-1	Composite Carburetor Complete Set
CN2515	Throttle Needle
CP2504/5A	Cylinder Sleeve/Piston 25R
CP2504/5A-1	Cylinder Sleeve/Piston 25R (Complete Set)
CR2106A	Conrod
CS2108T	Crankshaft SG 13mm 8P
DC2111	Drive Copper Wahser
HW009	Washer
HW010	Washer
HW2503	Cylinder Head Washer 0.2×18×23 25R
L002	Carburetor "O" Ring
L004	Main Needle Valve "O" Ring
L005	Silicone Seal for Rear Exhaust Manifold
MN2125	Main Needle Seat
MN2126	Main Needle
MN2126-1	Main Needle Set (Including 2126, L004, 2125,2124)
OS2124A	Fuel Nipple-Brass
P007	Piston Gudgeon Pin 25R
RB2109	Rear Back Cover
S022	Cylinder Head Bolt M3×14 (4Pcs)
S011	Rear Cover Bolt
S004	Clutch Washer M3×6
S2521	Throttle Stop Adjustment Screw
SP2110A	Carburetor Setting Pin
TC2117	Throttle Boot
TD2118	Throttle Screw Cap
TH2514	Throttle
W001	"G" Pin Snap Ring 2pcs/set
PULL STARTER ASSEMBLY	
A + B21	Recoil Start Unit Assembly
A Parts	A Parts Assembly-Plastic Part
B 21	B Parts Assembly
L001	Rear Cover "O" Ring
RS12/13	One Way Bearing Set
RS14	Connective Seat
RS17	Staring Axle
RS18	Staring Pin
RS19	Pressure Spring