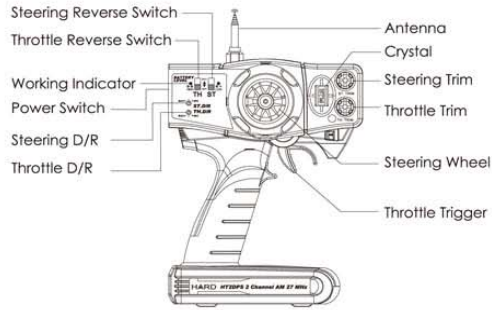


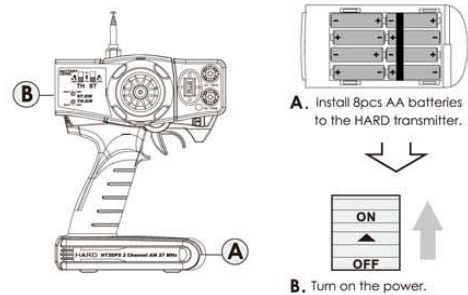


# Instruction & Setup Manual

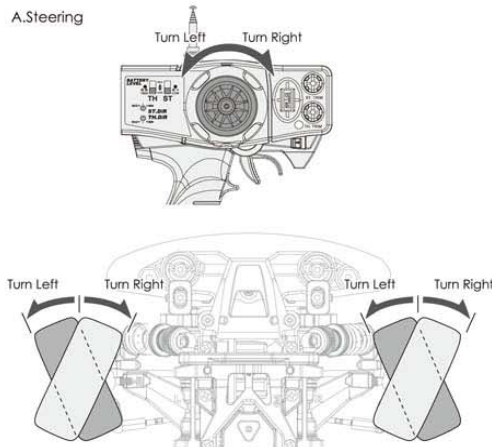
## 1 Transmitter Function



### 02 Install 8pcs AA batteries in the transmitter.

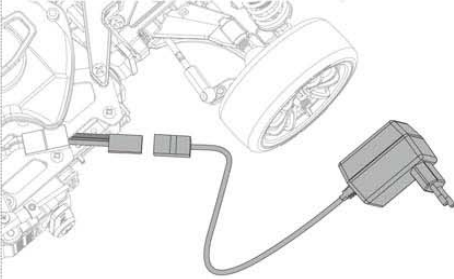


### 04 Test the transmitter function: A. Steering B. Throttle

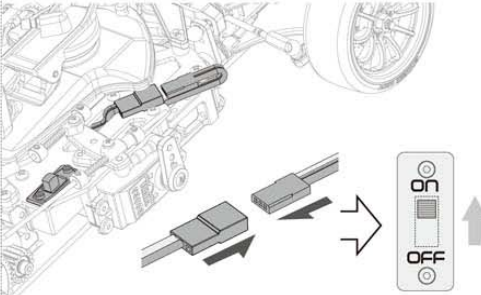


## 2 Operating Procedure

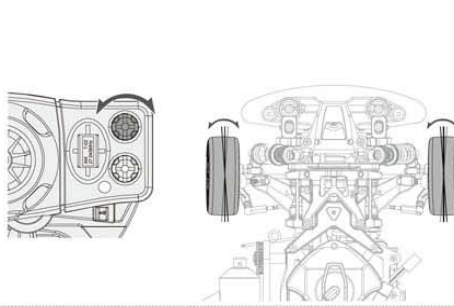
### 01 Make sure all the batteries are full charged before you install on the car.



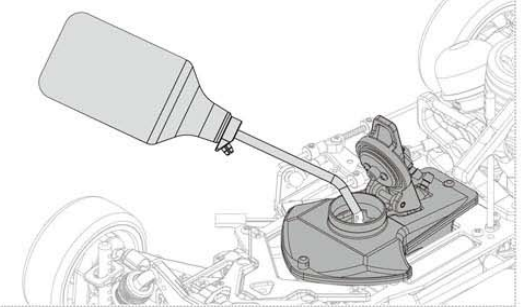
### 03 Connect the plug and turn on the power.



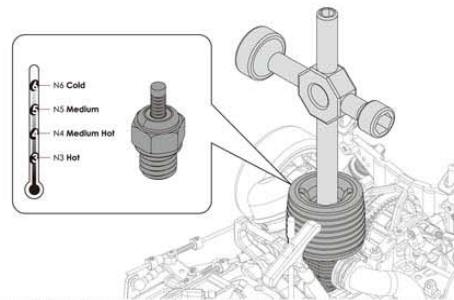
### 05 Turn the steering trim to adjust the front tires to center position.



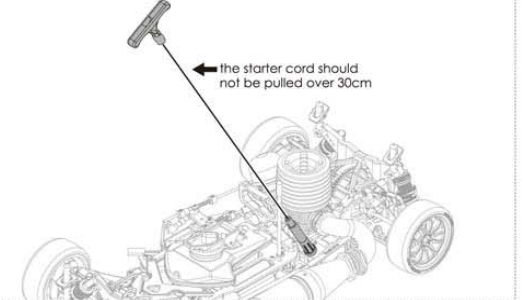
### 06 Fill up the fuel tank.



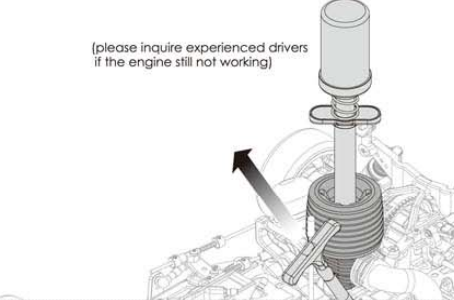
### 07 Install the glow plug in the engine (we recommend GO-ENGINE N5,N6)



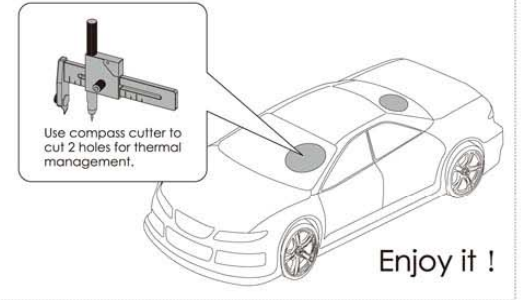
### 08 Pull the starter cord a couple of times until the fuel flows into the engine.



### 09 Connect the glow igniter with the glow plug to ignite the glow starter. Pull the starter cord to start the engine.

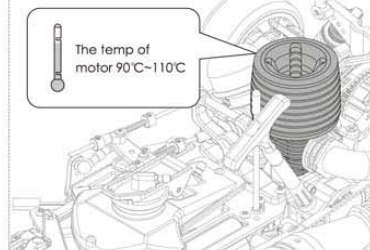


### 10 Assemble the car shell and try to run in a straight line, adjust the break and throttle setting.



## 3 Caution!

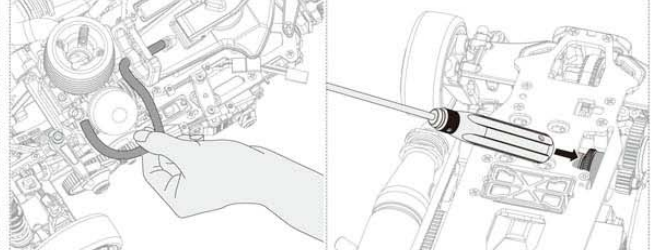
The engine temperature should not exceed 110°C. The proper temperature should be 90°C-110°C.

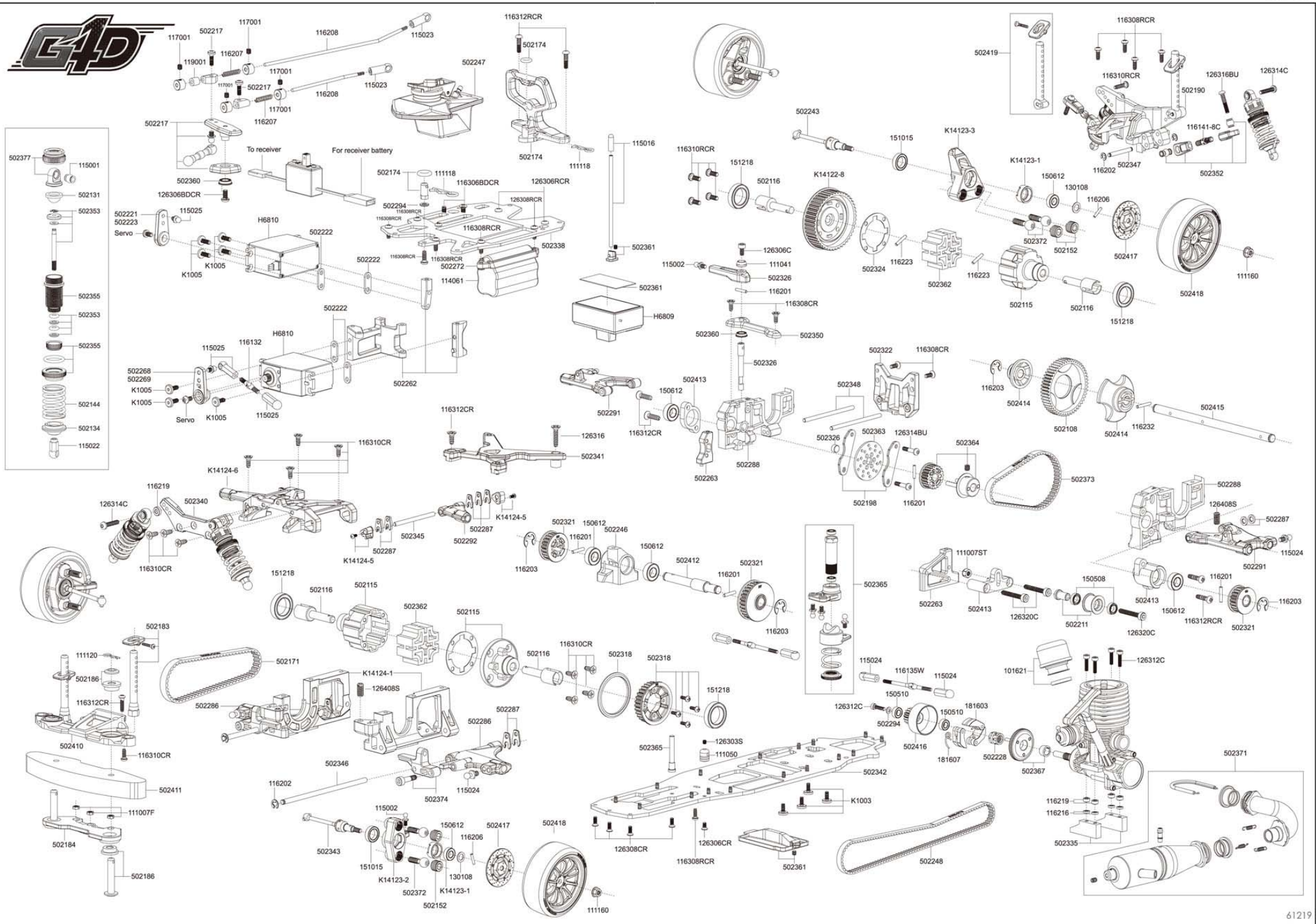


## 4 How to stop the engine?

There are 2 different ways to stop the engine:

1. Hold the fuel tube till the engine stops.
2. Use tools to touch the flywheel. Watch up your fingers!







Parts List

## PARTS

Item No.	Item Description
111003	3mm Alum. Flat Head Washer (6)
111007ST	3mm Steel Locknut (10)
111007F	3mm Flat Locknut (10)
111041	3mm Alum. Cap Washer (6)
111050	Pipe Holder (3mm)
111118	R5 R-clip (10)
111120	R6 R-clip (10)
111160	4mm Special Wheel Lock Nut (4)
114061	6v-1100mah Ni-MH Battery Pack
115001	Ball End & 5.8mm Flanged Steel Ball (6)
115002	4mm Ball Stud & Ball Cup (for 3mm rod)(6)
115016	Antenna Rod (2)
115022	4mm Ball Stud & Shock Ball Cup (6)
115023	Throttle Ball Cup (4)
115024	4mm Short Thread Ball Stud & Ball Cup (for 3mm rod) (5)
115025	4mm Short Neck Ball Stud & Ball Cup (for 3mm rod) (4)
116132	3x20mm Hardened Adjustable Rod (2)
116135W	3x50mm Stainless Steel Adjustable Linkage Rod (2)
116141-8C	4x18mm CR Adjustable Rod (2)
116201	2x10.8mm Pin (10)
116202	E-clip 2.5 (10)
116203	E-clip 5 (10)
116207	Throttle/Brake Linkage Spring (4)
116208	Throttle/Brake Linkage Rod (4)
116219	3x6.5x2mm Alum. Washer (6)
116223	2x11.8mm Pin (10)
116232	2x13.8mm Pin (10)
116306BDCR	3x6mm Steel BDH TP Screw (6)
116308CR	3x8mm Steel FH TP Screw (cross) (6)
116308RCR	3x8mm Steel RH TP Screw (cross) (6)
116310CR	3x10mm Steel FH TP Screw (cross) (6)
116310RCR	3x10mm Steel RH TP Screw (cross) (6)
116312RCR	3x12mm Steel RH TP Screw (cross) (6)
116312CR	3x12mm Steel FH TP Screw (cross) (6)
117001	Alum. Stopper (4)
119004	Large Flow Soft Silicone Fuel Tube (100cm) Translucent
126303S	3x3mm Set Screw (6)
126306C	3x6mm Cap Screw (6)
126306CR	3x6mm Steel FH Screw (cross) (6)
126306RCR	3x6mm Steel RH Screw (cross) (6)
126308	3x8mm Steel FH Screw (6)
126308CR	3x8mm Steel FH Screw (cross) (6)
126310C	3x10mm Cap Screw (6)
126312C	3x12mm Steel Cap Screw (6)
126312CR	3x12mm Steel FH Screw (cross) (6)
126312RCR	3x12mm Steel RH TP Screw (cross) (6)
126314BU	3x14mm Button Head Screw (6)
126314C	3x14mm Cap Screw (6)
126320C	3x20mm Cap Screw (6)
126408S	4x8mm Set Screw (6)
150508	5x8x2.5mm Bearing (2)
150508F	5x8x2.5mm Flanged Bearing (2)
1505100	5x10x4mm Dust-Resistant Bearing (4) Orange
150612O	6x12x4mm Bearing (4)
1510150	10x15x4mm Bearing (4)
1512180	12x18x4mm Bearing (4)
502108	G4 2 Speed 1st Spur Gear 51T
502115	G4 Diff Case (2), Diff Case Cover (1) & Gasket (2)
502116	G4 Diff Joint, P5 O-ring, 5x12mm Shim & 2x11mm Pin (2)
502130	G4 Shock Shaft & Piston Set (2)

Item No.	Item Description
502131	G4 Membrane (4)
502134	G4 Shock Spring Cup (4)
502144	G4 Shock Shock Spring (2)
502152	G4 9mm Pivot Ball Nut (2)
502160	G4 Front Lower Arm & Up/Down Stop Mount
502171	G4 Front Belt
502174	G4 Fuel Tank Supporter & Handle
502183	G4 Front Body Post (2)
502184	G4 Front Lower Bumper
502186	G4 Bumper Foam Post Set (2)
502190	G4 Rear Shock Tower
502198	G4 Brake Plate & Brake Pad
502211	G4 Belt Tensioner
502217	G4 Throttle Linkage Set
502221	G4 Servo Arm (Futaba) (2)
502222	G4 Servo Spacer (4)
502223	G4 Servo Arm (Ko, Sanwa & JR) (2)
502228	G4 SG Clutch Nut
502246	G4 Middel Belt Mount
502247	G4 Fuel Tank
502248	G4 Side Belt
502262	G4 Servo Mount Set (for S/Le Mans)
502263	G4 Radio Plate Support (S/Le Mans)
502268	G4 Thick Servo Arm (Futaba) (2)
502269	G4 Thick Servo Arm (Ko, Sanwa & JR) (2)
502272	G4 Receiver Battery Pack Mount (S/Le Mans)
502286	G4 Front Lower Flying Wing Arm (1 pair)
502287	G4 Flying Wing Arm Clip and Spacer Set (2)
502288	G4 New Rear Bulkhead (1 pair)
502291	G4 Rear Lower Flying Wing Arm (1 pair)
502292	G4 Front Upper Flying Wing Arm (1 pair)
502294	3x6x0.5mm Iron Shims
502318	G4 Front Diff Pulley 30T
502321	G4 Pulley Set (19T, 20T & 27T)
502322	G4 Rear Plate
502324	G4 Diff Gasket (4)
502326	G4 Brake Post & Lever Set
502327	G4 Rear Upper Arm Linkage Set
502335	G4 Engine Mount
502338	G4 Radio Plate
502340	G4 Front Shock Tower
502341	G4 Front X Plate
502342	G4 3mm Alum. Chassis
502343	G4 Front/Rear CVA joints (2)
502345	G4 3x42.2mm Steel Hinge Pin (Front Upper for speed shot system) (2)
502346	G4 3x75mm Steel Hinge Pin (Front Lower) (2)
502347	G4 3x25.8mm Steel Hinge Pin (Rear Upper) (2)
502348	G4 3x56mm Steel Hinge Pin (Rear Lower) (2)
502350	G4 Brake Bracket
502353	G4 P3 O-ring (4) & Washer (4)
502355	G4 Nylon Threaded Shock Body Set (2)
502360	5x8mm Flanged Bushing (2)
502361	G4 Receiver Mount
502362	G4 Solid Axle Unit (for diff case)
502363	G4 Brake Disc
502364	G4 Brake Pulley Set
502365	G4JR Single Bell Crank Steering System
502367	G4 Flywheel (for 3 shoe)
502371	G4 In-Line Pipe Set
502372	G4 9mm Pivot Ball(2)

Item No.	Item Description
502373	G4 Rear Belt (for JS/JR)
502374	G4 24mm Mounted Rubber Tire (Dish Wheel) (4)
502377	G4 Shock Cap Set (2)
502116-1	P5 O-Ring, 5x12mm Shim & 2x11mm Pin (2)
502410	G4 Front Upper Bumper
502411	G4 Foam Bumper
502412	G4 Middle Shaft
502413	G4 Extension Nylon Pasts for Side Belt
502414	G4 Spur Gear Holder
502415	G4 Main Shaft
502416	G4 15T Clutch Bell
502417	G4 Simulation Brake Disc
502418	G4 Mounted Tires
502419	G4 Rear Body Mount
502420	G4 CMR Prepainted Body Shell
K1003	Special 3mm Engine Mount Screw (5)
K1005	Special 3mm Servo Holding Screw (5)
K14122-8	G4 ED Nylon 46T Rear Gear Diff Pulley
K14123-1	G4 Flash-Pit System Insert (for stock G4 drive shaft) (4)
K14123-2	G4 Flash-Pit Front Steering Block
K14123-3	G4 Flash-Pit Rear Hub Carrier
K14124-1	G4 Speed Shot Nylon Bulkhead
K14124-5	G4 Speed Shot Spacer (4)
K14124-6	G4 Speed Shot Nylon Bracket

## OPTIONS

Item No.	Item Description
114012	DC 12v Glow Starter Charger
114014	Alum. Metered Glow Starter
116006	Curved Model Scissors
116025	Cross Wrench (7, 8, 10, 12 & 17mm)
116047	TM Smart 300cc Super Soft Fuel Bottle
116051	TM 1/10 Setup Board (420x360mm)
117002-1M	TM Black HC Hex Wrench Metric Size 1.5mm
117002-2M	TM Black HC Hex Wrench Metric Size 2.0mm
117002-3M	TM Black HC Hex Wrench Metric Size 2.5mm
117006	TM Black HC Pivot Ball Nut Hex Wrench 5mm
117009	TM Black HC Metric Ball Stud Nut Driver 5mm
117010	TM Black HC Nut Driver 5.5mm (for 3mm nut)
117011	TM Black HC Nut Driver 7mm (for 4mm nut)
117012	TM Black HC Nut Driver 8mm (for glow plug & 5mm nut)
117013	TM Black HC Push Type Clutch Nut Driver 10mm
117023	TM Black HC Carb Tuning Slotted Screw Driver (4mm)
117024	TM Black HC Philips Screw Driver (4mm)
117028	TM Black HC Manifold Spring Tool
117030	TM Black HC Body Reamer (0-18mm)
119206	TM Transmitter Bag (Black)
119207	TM Starter Box Bag - Small (Black)
119212	TM Touring Car Bag (Black)
119213	TM Starter Box Bag - Large (Black)
119220	TM New Formula 8 (F8) Car Bag (for 1/8 cars)
119221	TM Banner (200x70cm, strong nylon material)
119232	TM T Shirt (Black)
119234	TM Power Dry T Shirt (Black)
119235	TM Cap (Orange)
119237	TM Power Dry T Shirt (White)
119225	TM Formula 10 (F10) Car Bag (for 1/10 cars)
119226	TM Adjustable Partition Parts Box (smoke color 13x10x2.8cm)
H6101	Pin Tower (for 3mm drive shaft pin assembly)
H6101-1	Pin Tower ST Steel Pin Removal Tip (for 3mm)
H6101-2	Pin Tower ST Steel Pin Installation Tip (for 3mm)
H6510N	H3 Starter Box On-Road
H6515N	H5S Starter Box
H6516	H6 Starter Box On road
H6808	HT2DPS 2 Channel AM 27MHz / 2 H3004 Servo
H6809	HR163JE 2 Channel AM Receiver 27MHz w/o Crystal
H6810	HS3004 Throttle Servo
H7101	1/10 Touring Car Cambertoe Setup Gauge (for 4mm wheel shaft)
H7103	1/10 Touring Car Quick Setup System (for 4mm wheel shaft)
H9001	H.A.R.D. Tool Bag (10 Slots)
H9003	H.A.R.D. 1/10 Touring Car Setup System Bag
H9005	H.A.R.D. Transmitter Bag
H9021	H.A.R.D. Magellan Series 1/10 Touring Car Bag
H9031	H.A.R.D. Cheng-Ho Series 1/10 Touring Car Bag
H9201	H.A.R.D. Touring Car Maintenance Standing Box



Team Magic Model Industrial co. Ltd.

No.185-2, 38th Road, Taichung industrial Park, Taichung, Taiwan 407

Tel: 886-4-23552606 Fax: 886-4-23552946

E-mail: service@teammagic.com.tw

www.teammagic.com.tw

MADE IN TAIWAN



61220