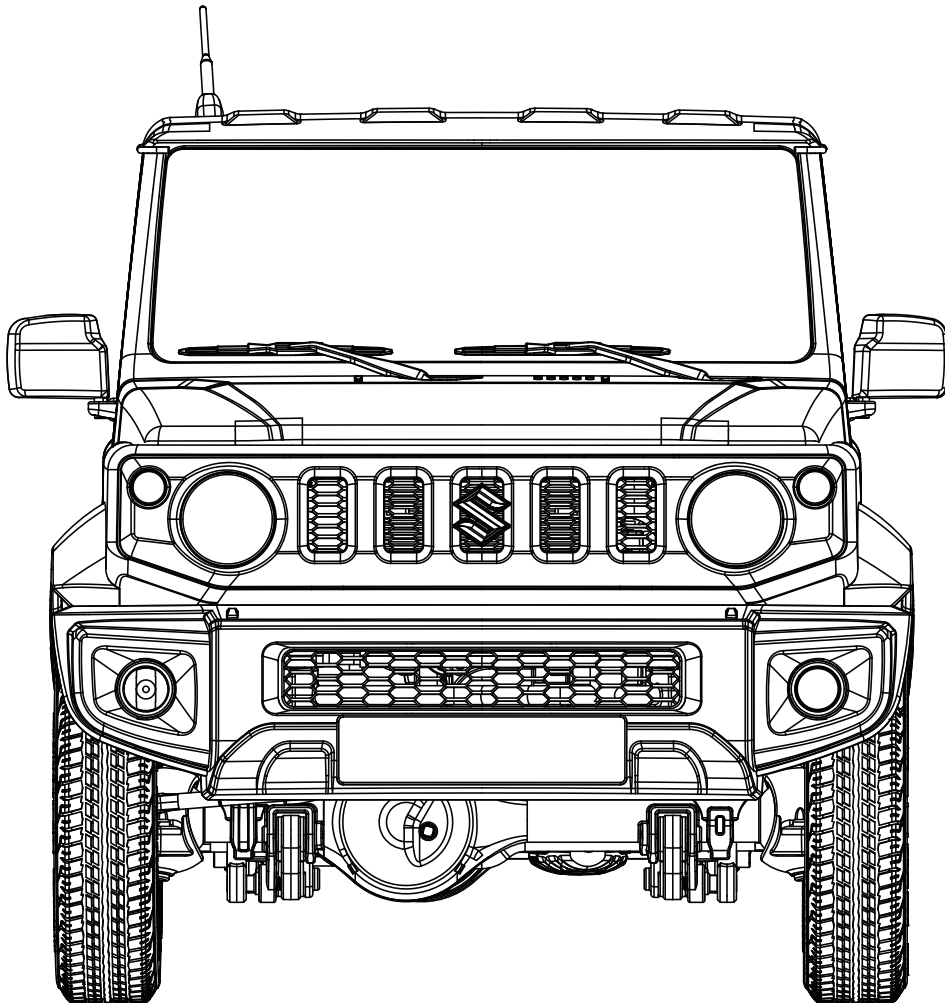




1:12 JIMNY



Instruction Manual
Bedienungsanleitung
Manuel d'utilisation
操作手册

SPECIFICATION

Length: 291mm
Width: 135mm

Height: 158mm
Wheel base: 187mm

Ground clearance: 16mm
Approach angle: 61°

Departure angle: 60°

TABLE OF CONTENTS

SAFETY PRECAUTIONS	03
RADIO SYSTEM	05
THROTTLE STICK POSITION	13
VEHICLE SETUP	13
OPERATING THE VEHICLE	14
CAR BODY ASSEMBLY	52
CHASSIS ASSEMBLY	53
COCKPIT ASSEMBLY	54
FRONT AXLE ASSEMBLY	55
MAIN GEAR BOX ASSEMBLY	56
REAR AXLE ASSEMBLY	57
SPRING SHOCK ASSEMBLY	58
TRANSMISSION GEAR BOX ASSEMBLY	58
STEERING GEAR	59
General list of accessories (I)	60
General list of accessories (II)	61

SAFETY PRECAUTIONS

Introduction

This manual is written to assist you in properly operating, maintaining and repairing the vehicle. As many of the components used are unique to this truck, please retain this manual as a future reference.

Composed of precision-made components, the FMS 1:12 Suzuki Jimny is not a toy, thus it is not suited for children under 14 years of age. Minors should be accompanied by an adult when operating. Failure to operate or maintain this vehicle in a safe manner can result in bodily harm.

It is the owner responsibility to operate this product in a safe manner. FMS and its distributors are not responsible in any way for any and all bodily harm and/ or property damage that may result from the use of this product.

Replace damaged components with original factory-parts. Pay special attention to the polarity of all vehicle wiring.

Safety, precautions and warnings

- Replace damaged components with original factory-parts. Pay special attention to the polarity of all vehicle wiring.
- Use common sense when selecting the environment to operate your vehicle. Do not operate near power cables, cellular/radio towers, deep water or unstable terrain. The operator is solely responsible for their actions.
- The product is composed of precision electrical components. It is critical to keep the product away from moisture and other contaminants.
- Always check the radio range of the vehicle prior to operation in order to prevent radio loss or interference.
- Operate this product within your ability. If the vehicle is dangerous to retrieve, it never worth the risk.
- Always turn on the transmitter before connecting the battery on the model. When turning off the model, always disconnect the battery first, and then turn off the model, always disconnect the battery first, and then turn off the transmitter. If this order is reversed, the model may become uncontrollable and cause serious damage.
- Never allow transmitter batteries to run low as it may cause loss of vehicle control.
- Plastics on the vehicle are susceptible to damage or deformation due to extreme heat and cold climate. Do not store the model near any source of heat such as oven or heater. Store the model indoors, in a climate-controlled, room temperature environment.

CE compliance information for the european union

The associated regulatory agencies of the following countries recognize the noted certifications for this product as authorized for sale and use.

UK	DE	DK	BG	SE	GZ	ES	NL	SK	HU	RO	FR	PT
FI	EE	LV	LT	PL	AT	CY	SI	GR	MT	IT	IE	LU

Declaration of Conformity

Products: 2.4GHz Controller

Equipment Class: 2

The objects of declaration described above are in conformity with the requirements of the specifications listed below.

Item Name : 2.4GHz Controller

The RED Directive 2014/53/EU

EN 60950-1:2006 + A11:2009 + A1:2010 + A12:2011 + A2:2013

EN 300 328 V2.1.1:2016

EN 301 489-1 V2.1.1:2017

EN 301 489-17 V3.1.1:2017

Please read this manual carefully prior to using. We are not responsible for any intentional damage or improper use. If you require any additional information or have any questions about the product or its use, please contact us via (www.fmsmodel.com).

This product is not a toy! (14+) Recommended for ages 14 and up. Adult supervision required for ages under 14 years old. Contains small parts, keep out of reach of children 3 years of age and younger.



Certification

FCC Compliance Statement

This device complies with Part 15 of the FCC Rules. Operation is subject to the following two conditions: (1) this device may not cause harmful interference, and (2) this device must accept any interference received, including interference that may cause undesired operation.

Warning: changes or modifications not expressly approved by the party responsible for compliance could void the user's authority to operate the equipment.

This equipment has been tested and found to comply with the limits for a Class B digital device, pursuant to Part 15 of the FCC Rules. These limits are designed to provide reasonable protection against harmful interference in a residential installation. This equipment generates, uses and can radiate radio frequency energy and, if not installed and used in accordance with the instructions, may cause harmful interference to radio communications. However, there is no guarantee that interference will not occur in a particular installation.

If this equipment does cause harmful interference to radio or television reception, which can be determined by turning the equipment off and on, the user is encouraged to try to correct the interference by one or more of the following measures:

1. Reorient or relocate the receiving antenna.
2. Increase the separation between the equipment and receiver.
3. Connect the equipment into an outlet on a circuit different from that to which the receiver is connected.
4. Consult the dealer or an experienced radio/TV technician for help.

RF Exposure Compliance

This equipment complies with FCC radiation exposure limits set forth for an uncontrolled environment. This equipment should be installed and operated with minimum distance 20cm between the radiator and your body. This transmitter must not be co-located or operating in conjunction with any other antenna or transmitter.

Environmentally friendly disposal

Old electrical appliances must not be disposed of together with the residual waste, but have to be disposed of separately. The disposal at the communal collecting point via private persons is for free. The owner of old appliances is responsible to bring the appliances to these collecting points or to similar collection points. With this little personal effort, you contribute to recycle valuable raw materials and the treatment of toxic substances.






FCC ID: N4ZR4A10

RADIO SYSTEM

Safety symbols

Pay close attention to the following symbols and their meanings. Failure to follow these warnings could cause damage, injury or death.

 Attention	Not following these instructions may lead to minor injuries.
 Warning	Not following these instructions may lead to major injuries.
 Danger	Not following these instructions may lead to serious injuries or death.

Safety guide



Prohibited



Mandatory



- Do not use the product at night or in bad weather like rain or thunderstorm. It can cause erratic operation or loss of control.
- Do not use the product when visibility is limited.
- Do not use the product on rain or snow days. Any exposure to moisture (water or snow) may cause erratic operation or loss of control.
- Interference may cause loss of control. To ensure the safety of you and others, do not operate in the following places:
 - 1、 Near any site where other radio control activity may occur
 - 2、 Near power lines or communication broadcasting antennas
 - 3、 Near people or roads
 - 4、 On any body of water when passenger boats are present
- Do not use this product when you are tired, uncomfortable, or under the influence of alcohol or drugs. Doing so may cause serious injury to yourself or others.
- The 2.4GHz radio band is limited to line of sight. Always keep your model in sight as a large object can block the RF signal and lead to loss of control.
- Do not touch any part of the model that may generate heat during operation, or immediately after use. The engine, motor or speed control, may be very hot and can cause serious burns.



- Misuse of this product may lead to serious injury or death. To ensure the safety of you and your equipment, read this manual and follow the instructions.
- Make sure the product is properly installed in your model. Failure to do so may result in serious injury.
- Make sure to disconnect the receiver battery before turning off the transmitter. Failure to do so may lead to unintended operation and cause an accident.
- Ensure that all motors operate in the correct direction. If not, adjust the direction first.
- Make sure the model stays within the systems maximum range to prevent loss of control.

Introduction

From the amazingly detailed interior, outer body, chassis and suspension, this is an RC model that replicates its full-size counterpart in virtually every area. The 1:12 Suzuki Jimny is ready to conquer the wilderness.

Realistic Body Details

- Officially licensed product of the Suzuki Motor Corporation.
- Ready-to-Run 4WD.
- Painted body in the original coating, with stainless marks using the photo-etching technique.
- Electroplating Suzuki logo and light cups.
- Photo-etching honeycomb grille and authentic movable rear-view mirror.
- Fine wheel artwork mounted with natural rubber tires.
- Bumpers, wheel fenders and roof can be disassembled for personal modification.
- Outstanding car light system with up to 15 LEDs.
 Headlights: Full Beam / Dipped
 Turn signals: Activated when turning / Dual flash switch
 Fog lights: Front & rear fog lights can be activated remotely
 Brake lights: Activated when parking
 Reverse lights: Activated when reversing

Chic Interior

- Lift the hood for a featured lifelike scale engine with delicate detailing.
- Side doors open similar to the real Jimny.
- The steering wheel is driven by an independent servo and linked to the front wheel steering.
- Adjustable front seats, a perfect match for 1:12 figures.
- Open the backdoor, flatten the rear seats and enjoy some spacious storage!
- The trunk features a hidden storage area.
- Super detailed interior and dashboard.

Robust Chassis

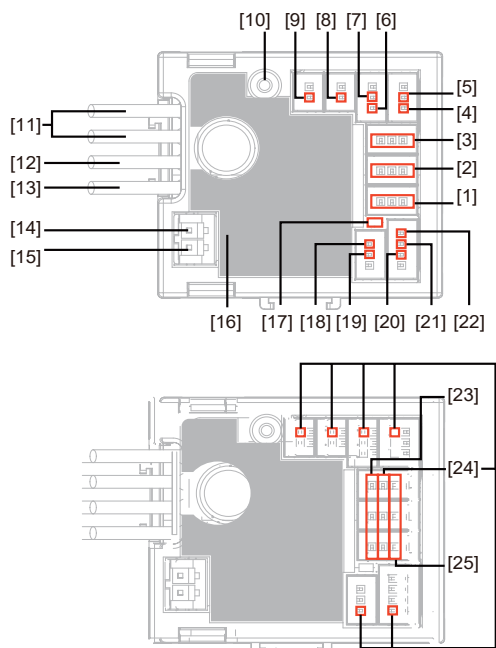
- Solid frame-full chassis structure.
- Metal frame rails.
- Front & rear 3-link rigid axle suspension with coil spring.
- The scale engine houses a 180 motor with a two-speed transmission.
- Metal gears. Metal gears.
- 25 stainless steel ball bearings.
- Super detailed interior and dashboard.
- Battery, servo, receiver, ESC, light control — all under the hood.

Transmitter instruction

Introduction

FS-R4A1 based on ANT protocol is a three-in-one receiver with ESC and LED light group control board. It has an external single antenna, can output PWM signal and light control signal, can implement two-way transmission, adopts automatic binding, and has a compact design, which can be adapted to various model cars.

Overview



[1] CH1	[14] Motor port "+"
[2] CH3	[15] Motor port "-"
[3] CH4	[16] Stickers
[4] Left-turn light port	[17] LED
[5] Head light port	[18] Left-turn light port
[6] Right-turn light port	[19] Right-turn light port
[7] Head light port	[20] Reversing light port
[8] Fog light port	[21] Brake light port
[9] Fog light port	[22] Taillight port
[10] Antenna	[23] Signal pin
[11] Power switch	[24] Power "+"
[12] Battery line "+"	[25] Power "-"
[13] Battery line "-"	

Specifications

- Product Name: FS-R4A1
- Adaptive transmitter: FS-MG41
- Model Type: Car
- Channels: 4
- Numbers of Light Interfaces: 7
- RF: 2.4GHz ISM
- 2.4G Protocol: ANT
- Antenna: Single antenna
- Input Power: Lipo (2S)/NiMH (5~7Cell)
- BEC Output: 6V/1A
- Continuous/Peak Current: 10A/50A
- Data Output: PWM
- Temperature Range: -10°C—+60°C
- Humidity Limit: 20%~95%
- Waterproof: PPX4
- Online Update: No
- Dimensions: 33mm*30mm*12mm
- Weight: About 11g
- Certification: CE, FCC ID: N4ZR4A10

Binding

The receiver automatically enters the binding state once it is powered on.

Press the **BIND** Key to turn on the transmitter and allow it to enter its binding state. Here, **G.LED** flashes quickly, and operator releases the **BIND** Key.

1. When the receiver is powered on and waits for 1 second, it will automatically enter the binding state if it is not connected;
2. After the binding is successful, the LED indicator of the receiver is always on.

Notes: (1) Set the transmitter to its binding state first, and then set the receiver to its binding state. If the binding is not completed within 10s, the indicator light of the receiver will enter its slow flashing state.

- (2) If re-binding is successful, all the settings of the car lights will be restored to their default values.

ESC protection

This receiver has multiple prompt functions such as power-on self-check display, overheating alarm prompt, and low/high voltage alarm prompt.

- Self-check display: all car lights will be on for 1S when the receiver is powered on;
- Overheating alarm: When the internal temperature of the ESC is detected to exceed 110°C, motor has no output, all car lights flash promptly, and the normal output will be restored when the temperature is lower than 70°C;
- Low/high voltage alarm: When the receiver enters the low voltage protection, motor has no output, and all the lights flash slowly; when the receiver enters the high voltage protection, all channels have no output. All car lights flash promptly.

Headlight control

The lights control works mainly through the setting of transmitter to achieve the conversion between lighting state and lighting mode.

This receiver presets five light control modes and each mode shares the same light state of reversing lights, that is, when the model car is reversed, the reversing lights stay on with high brightness, and vice versa off. While its turn signals, headlights, brake lights, taillights and fog lights vary from one another as described below:

- **Default mode:** Default mode: In this mode, whether the model car turns or not, the turn signal stays off; when the brake is applied, the brake light is on with high brightness and vice versa off; all the headlights, taillights and fog light stay off.
- **Mode A:** In this mode, when the model car turns, turn signals shows slow flashing and when brake is applied, the brake light is on with high brightness, vice versa low light; The headlights are in a low light state; the tail lights and fog lights are always off.
- **Mode B:** In this mode, when the model car turns, turn signals shows slow flashing; when brake is applied, the brake light is on with high brightness, vice versa low light; the headlights are on with high brightness; the taillights and fog light are always off.
- **Mode C:** In this mode, whether the model car turns or not, the turn signal keeps slow flashing; when brake is applied, the brake light is on with high brightness, vice versa low light; the headlights are on with high brightness, the taillights and fog light are on.
- **Mode D:** In this mode, when the model car turns, the turn signal shows slow flashing; when brake is applied, the brake light is on with high brightness, vice versa off; the headlights are in constant off state; the tail lights and fog light are in constant on state.

Note: (1) Press button CH4 on the remote control to switch the working mode in turn, from default mode, mode A, mode B, mode C to mode D. Each press comes with a switch in mode.

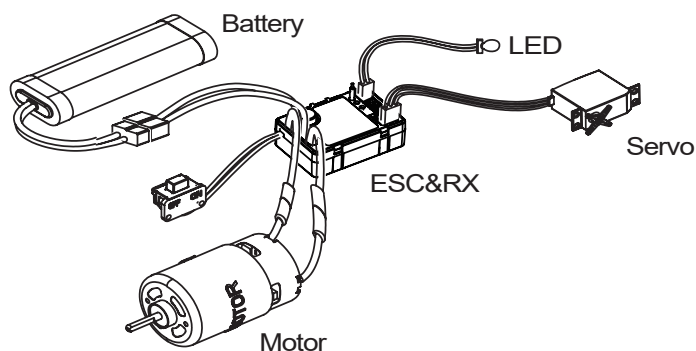
(2) Default mode is on every time when you turn on the system.

(3) Mode C represents the emergency light working state, with both the left and right turn signal lights working together as emergency lights by synchronously slow flash.

ESC function instructions

1. Connect related equipment:

Make sure the ESC is off before connection. Connect the motor with M+ and M- of ESC. Connect the steering servo to the 3Pin interface marked with "ST" of ESC (- + S connected correspondingly). Connect the battery with the positive and negative poles of ESC correspondingly.



2. Normal boot, identification throttle midpoint:

After connecting related equipment as step 1, turn on the radio first, move the throttle trigger to the neutral position. Turn on the switch of ESC at last. The receiver will automatically recognize the battery type when it is powered on again. Then it can run it.

Notes:

- a. The ESC can be run after completing self-inspection (about 3 seconds) if power on, otherwise it cannot be operated normally.
- b. If there is no power output and the red light of ESC flashes quickly after power on, please check whether the throttle trim of the transmitter is set to the "0" position, the receiver will automatically recognize the midpoint of the trim throttle after restarting;
- c. If the rotation direction is not correct during running, exchange the two wires connecting motor and ESC.
- d. To make sure everything is ok, please turn on the transmitter first and finally turn on the ESC, turn off the ESC first and finally turn off the transmitter.

Notes: Please refer to the relevant sections for details about the battery type, drag brake force and running mode of the ESC.

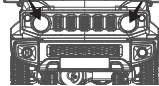
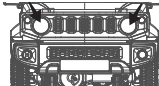
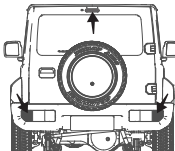
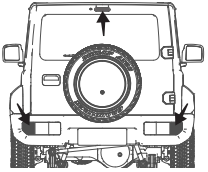
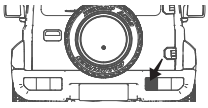
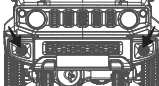
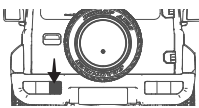
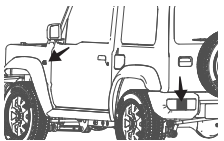

Failsafe

This function is used to protect the safety of the model and the operator when the receiver cannot normally receive the signal from the transmitter and is out of control. The receiver defaults that the throttle channel is fixed to be out of control and enters the brake state. After other channels are out of control, the receiver has no signal output. If you set it on the transmitter, it will output according to the set value.

Attention:

- Make sure the product is installed and calibrated correctly, failure to do so may result in serious injury.
- Please carefully check each power device and car frame instructions to ensure the power matching is reasonable before use. Avoid damaging power system due to incorrect matching.
- Do not let the external temperature of the system exceed 90°C /194 °F , because high temperature will damage the power system.
- Make sure the receiver's battery is disconnected before turning off the transmitter, failure to do so may lead to unintended operation or loss of control.
- After use, remember to disconnect the battery and the ESC. If the battery isn't disconnected, the ESC will consume electric energy all the time even if it is off. It will discharge completely if connect the battery for a long time, thus resulting in the failure of the battery or the ESC. We are not responsible for any damage caused by this!
- Make sure the receiver is mounted away from motors or any device that emits excessive electrical noise.
- Keep the antenna of the receiver at least 1cm away from conductive materials such as carbon or metal.
- Do not power on the receiver during the setup process to prevent loss of control.








Lighting function

Button	Light Position	Function	Power on is off by default	Times for Pressing					Control Mod	Remarks	
				I	II	III	IV	V			
CH4	Headlight	White headlights keep on		OFF	•	OFF	OFF	OFF			
		White headlights keep on with high brightness		OFF	OFF	•	•	OFF			
	Taillights	Taillights keep on		OFF	•	•	•	OFF			
		Taillights turn red with high brightness amid brake operation		○	○	○	○	○	Throttle linkage control	Brake lights are on with high brightness amid brake operation	
		Reversing white lights		○	○	○	○	○	Throttle linkage control	Reverse lights are on amid reverse operation	
	Fog lamp	The yellow headlights keep on		OFF	OFF	OFF	•	•			
		The red taillights keep on		OFF	OFF	OFF	•	•			
	Turn Signal	Left turn yellow light		OFF	○	○	○	○	Direction linkage control	3 left turn signals automatically blink in the left turn with a 1-sec flashing frequency, namely on 0.5 sec and off 0.5 sec.	
		Right turn yellow light		OFF	○	○	○	○	Direction linkage control	3 right turn signals automatically blink in the right turn with a 1-sec flashing frequency, namely on 0.5 sec and off 0.5 sec.	
		The brake lights show double flash in the left and right turn.		OFF	OFF	OFF	•	OFF		A total of 6 left and right turn signals flash automatically regardless of direction with a 1-sec flashing frequency, namely on 0.5 sec and off 0.5 sec.	

Getting started

Before operation, install the battery and connect the system as instructed below.

★ Transmitter Battery Installation

 Danger	Only use specified battery (X4 AA batteries).
 Danger	Do not open, disassemble, or attempt to repair the battery.
 Danger	Do not crush/puncture the battery, or short the external contacts.
 Danger	Do not expose to excessive heat or liquids.
 Danger	Do not drop the battery or expose to strong shocks or vibrations.
 Danger	Always store the battery in a cool, dry place.
 Danger	Do not use the battery if damaged.

Battery Type: AAA

Battery Installation:

1. Open the battery compartment cover.
2. Insert 4 fully-charged AAA batteries into the compartment. Make sure that the battery makes good contact with the battery compartment's contacts.
3. Replace battery compartment cover.

Low battery alarm: When the battery is lower than 4.2V, the LED on the panel will flash slowly.

Instructions

After setting up, follow the instructions below to operate the system.

1. Automatic code matching (the transmitter and receiver have been successfully coded before leaving the factory.)

If you need to replace another transmitter or receiver, please follow the following steps to code:

1. When the transmitter power is on and the code matching mode is on, the light keeps flashing;
2. The power supply of the receiving board is turned on, and the front lights keep flashing to enter the code matching mode;
3. When the code matching is successful, all the transmitter lights are on and all the lights on the car are off;

Note: when code matching, please operate the transmitter to enter the code matching state first, and then operate the receiver to enter the code matching state.

2. POWER OFF

Follow the steps below to turn off the system:

1. Disconnect the receiver power.
2. Toggle the transmitter's power switch to the off position.



Danger

Make sure to disconnect the receiver power before turning off the transmitter. Failure to do so may lead to damage or serious injury.

Instructions

1. Transmitter specification

Product Model	FS-MG41
Channels	4
Model Type	Car, Boat
RF	2.4GHz ISM
RF Power	<20dBm
2.4GHz Protocol	ANT
Distance	>150m(ground)
Channel Resolution	1024
Battery	6V DC 1.5AAA*4
Charging Interface	NO
Life time	According to battery type
Low Voltage Warning	<4.2V
Antenna Type	Built-in single antenna
Data Interface	No
Temperature Range	-10°C— +60°C
Humidity Range	20—95%
Online Update	No
Color	Black
size	118mm x 73mm x 145mm
weight	130g
Certification	CE,FCC ID:N4ZMG400

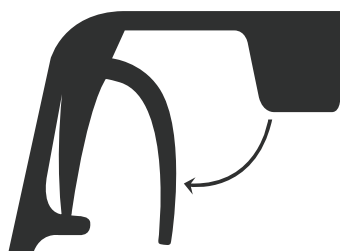
THROTTLE STICK POSITION

Throttle stick position

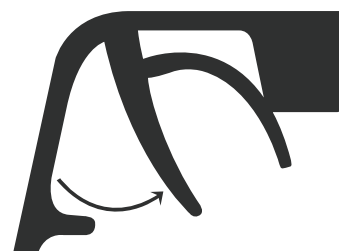
Neutral point



Top point of forward direction



Top point of backward direction

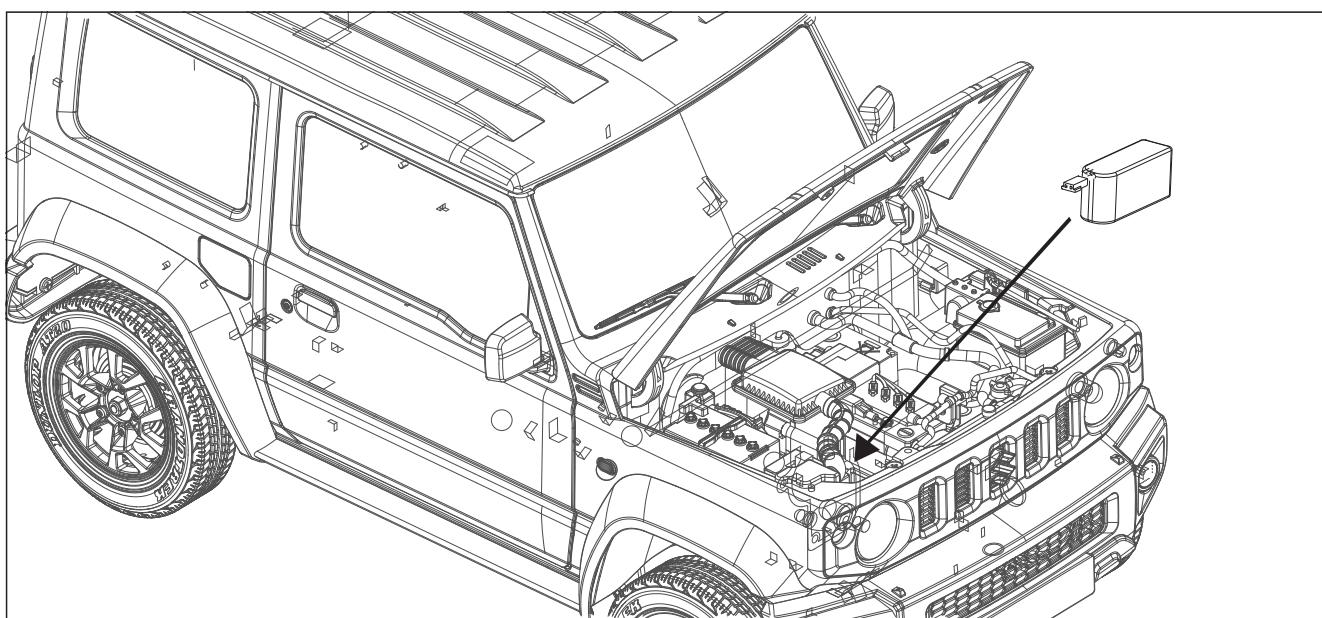


VEHICLE SETUP

Connecting the battery

Step 1: open the hood.

Step 2: place the battery in the battery box and connect the battery plug.

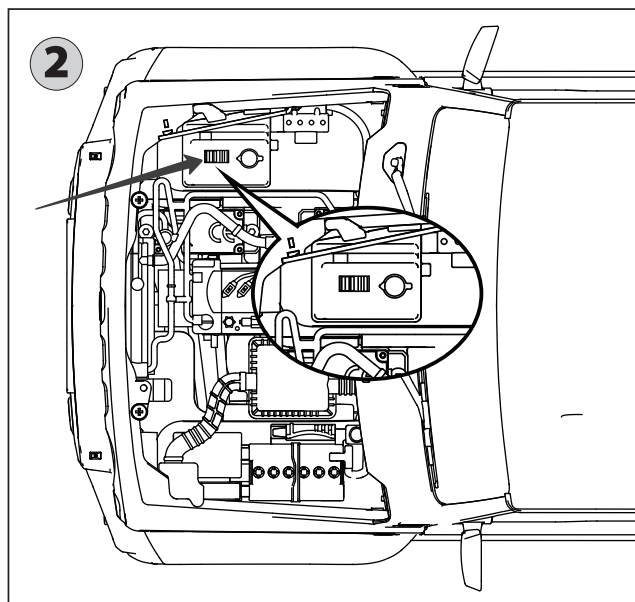
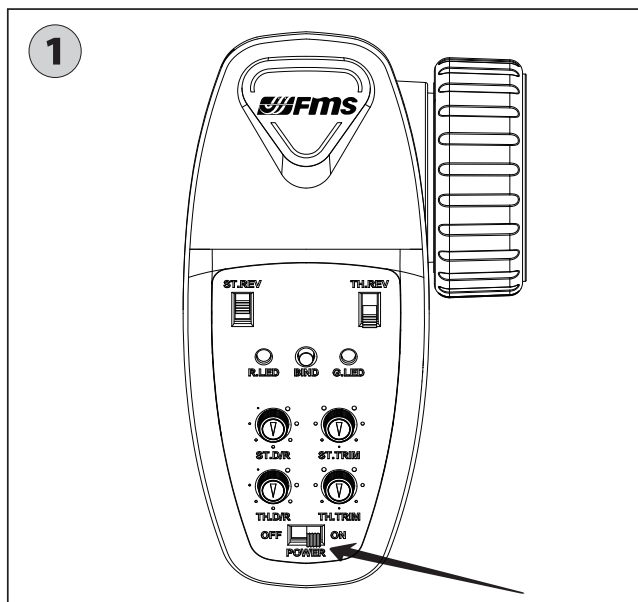


OPERATING THE VEHICLE

Step 1: turn on the transmitter, the headlamp of the transmitter will flash and enter the frequency matching mode.

Step 2: turn on the receiver switch, the headlight will flash and enter the frequency matching mode.

Step 3: when the transmitter and receiver are successful in frequency up, the front lights of the transmitter will be on for a long time, and the front lights of the vehicle will be off.



INHALT

SICHERHEITSHINWEISE	16
FERNSTEUERUNGS-SYSTEM	18
POSITION DES GASHEBELS	26
FAHRZEUG- EINSTELLUNG	26
BEDIENUNG DES FAHRZEUGS	27
AUFBAU DER KAROSSERIE	52
AUFBAU DES CHASSIS	53
AUFBAU DES COCKPITS	54
AUFBAU DER VORDEREN ACHSE	55
AUFBAU DES GETRIEBES	56
AUFBAU DER HINTEREN ACHSE	57
AUFBAU DER STOSSDÄMPFER	58
AUFBAU DES ÜBERSETZUNG-GETRIEBES	58
SERVO AUFBAU	59
Ersatz- und Zubehörteile (I)	62
Ersatz- und Zubehörteile (II)	63

SICHERHEITSHINWEISE

einleitung

Dieses Handbuch soll Sie bei der sachgerechten Bedienung, Wartung und Reparatur des Fahrzeugs unterstützen. Da viele der verwendeten Komponenten einzigartig für dieses Fahrzeug sind, bewahren Sie bitte diese Anleitung als künftige Referenz auf.

Der FMS Suzuki Jimny 1:12 ist kein Spielzeug und daher nicht für Kinder unter 14 Jahren geeignet. Minderjährige sollten bei der Bedienung von einem Erwachsenen begleitet werden. Ein unsachgemäßer Betrieb oder Nichtbeachtung der Sicherheitsvorschriften kann zu körperlichen Schäden führen.

Es liegt in der Verantwortung des Besitzers, dieses Produkt in einer sicheren Weise zu betreiben. ROCHOBBOY und seine Vertriebspartner sind in keiner Weise verantwortlich für Personen- und/oder Sachschäden, die durch die Verwendung dieses Produkts entstehen können.

Ersetzen Sie beschädigte Komponenten durch Original-Werksteile. Achten Sie besonders auf die Polarität aller Fahrzeug Verkabelung.

vorsichtsmassnahmen und warnhinweise

- Ersetzen Sie beschädigte Bauteile durch Original-Werksteile. Achten Sie besonders auf die Polarität der gesamten Fahrzeugverkabelung.
- Nutzen Sie Ihren gesunden Menschenverstand, wenn Sie die Umgebung für den Betrieb Ihres Fahrzeugs auswählen. Fahren Sie nicht in der Nähe von Stromkabeln, Funkmasten, tiefem Wasser oder instabilem Terrain. Der Bediener trägt die alleinige Verantwortung für seine Handlungen.
- Das Produkt besteht aus elektrischen Präzisionsbauteilen. Es ist wichtig, das Produkt von Feuchtigkeit und anderen Verunreinigungen fernzuhalten
- Prüfen Sie vor dem Betrieb immer die Funkreichweite des Fahrzeugs, um Funkverluste oder Störungen zu vermeiden.
- Betreiben Sie dieses Produkt im Rahmen Ihrer Möglichkeiten. Wenn das Fahrzeug gefährlich zu bergen ist, lohnt sich das Risiko nicht.
- Schalten Sie immer den Sender ein, bevor Sie den Akku am Modell anschließen. Wenn Sie das Modell ausschalten, trennen Sie immer zuerst den Akku ab und schalten Sie dann das Modell aus, trennen Sie immer zuerst den Akku ab und schalten Sie dann den Sender aus. Wenn diese Reihenfolge umgedreht wird, kann das Modell unkontrollierbar werden und schwere Schäden verursachen.
- Lassen Sie niemals zu, dass die Senderbatterien leer werden, da dies zum Verlust der Fahrzeugkontrolle führen kann.
- Kunststoffe am Fahrzeug können durch extreme Hitze und Kälte beschädigt oder verformt werden. Lagern Sie das Modell nicht in der Nähe von Wärmequellen wie Öfen oder Heizungen. Lagern Sie das Modell in einem klimatisierten Raum bei Raumtemperatur.

CE-konformitätsinformationen für die europäische union

Die zugehörigen Aufsichtsbehörden der folgenden Länder erkennen die angegebenen Zertifizierungen für dieses Produkt als für den Verkauf und die Verwendung zugelassen an.

UK	DE	DK	BG	SE	GZ	ES	NL	SK	HU	RO	FR	PT
FI	EE	LV	LT	PL	AT	CY	SI	GR	MT	IT	IE	LU

Konformitätserklärung

Produkt: 2.4GHz-Controller

Geräteklasse: 2

Die oben beschriebenen Erklärungsgegenstände sind konform mit den Anforderungen der unten aufgeführten Spezifikationen.

Artikelbezeichnung : 2.4GHz Controller

Die RED-Richtlinie 2014/53/EU

EN 60950-1:2006 + A11:2009 + A1:2010 + A12:2011 + A2:2013

EN 300 328 V2.1.1:2016

EN 301 489-1 V2.1.1:2017

EN 301 489-17 V3.1.1:2017

Wir haften nicht für vorsätzliche Beschädigung oder unsachgemäße Verwendung. Wenn Sie zusätzliche Informationen benötigen oder Fragen zum Produkt oder dessen Verwendung haben, kontaktieren Sie uns bitte über www.fmsmodel.com

Dieses Produkt ist kein Spielzeug! Empfohlen für Personen ab 14 Jahren. Unter 14 Jahren ist die Aufsicht eines Erwachsenen erforderlich. Enthält Kleinteile, außerhalb der Reichweite von Kindern unter 3 Jahren aufbewahren.



Certification

FCC Compliance Statement

This device complies with Part 15 of the FCC Rules. Operation is subject to the following two conditions: (1) this device may not cause harmful interference, and (2) this device must accept any interference received, including interference that may cause undesired operation.

Warning: changes or modifications not expressly approved by the party responsible for compliance could void the user's authority to operate the equipment.

This equipment has been tested and found to comply with the limits for a Class B digital device, pursuant to Part 15 of the FCC Rules. These limits are designed to provide reasonable protection against harmful interference in a residential installation. This equipment generates, uses and can radiate radio frequency energy and, if not installed and used in accordance with the instructions, may cause harmful interference to radio communications. However, there is no guarantee that interference will not occur in a particular installation.

If this equipment does cause harmful interference to radio or television reception, which can be determined by turning the equipment off and on, the user is encouraged to try to correct the interference by one or more of the following measures:

- 1.Reorient or relocate the receiving antenna.
- 2.Increase the separation between the equipment and receiver.
- 3.Connect the equipment into an outlet on a circuit different from that to which the receiver is connected.
- 4.Consult the dealer or an experienced radio/TV technician for help.

RF Exposure Compliance

This equipment complies with FCC radiation exposure limits set forth for an uncontrolled environment. This equipment should be installed and operated with minimum distance 20cm between the radiator and your body. This transmitter must not be co-located or operating in conjunction with any other antenna or transmitter.

Environmentally friendly disposal

Old electrical appliances must not be disposed of together with the residual waste, but have to be disposed of separately. The disposal at the communal collecting point via private persons is for free. The owner of old appliances is responsible to bring the appliances to these collecting points or to similar collection points. With this little personal effort, you contribute to recycle valuable raw materials and the treatment of toxic substances.






FCC ID: N4ZR4A10

FERNSTEUERUNGS-SYSTEM

sicherheitssymbole

Achten Sie genau auf die folgenden Symbole und ihre Bedeutungen. Die Nichtbeachtung dieser Warnhinweise kann zu Schäden, Verletzungen oder Tod führen.

 Attention	Die Nichtbeachtung dieser Hinweise kann zu leichten Verletzungen führen.
 Warning	Die Nichtbeachtung dieser Hinweise kann zu leichten Verletzungen führen.
 Danger	Die Nichtbeachtung dieser Hinweise kann zu schweren Verletzungen oder zum Tod führen.

sicherheitshinweise



Verboten



Obligatorisch



- Verwenden Sie das Produkt nicht in der Nacht oder bei schlechtem Wetter wie Regen oder Gewitter. Es kann zu unregelmäßigem Betrieb oder Kontrollverlust führen.
- Verwenden Sie das Produkt nicht, wenn die Sicht eingeschränkt ist.
- Benutzen Sie das Produkt nicht bei Regen oder Schnee. Jeglicher Kontakt mit Feuchtigkeit (Wasser oder Schnee) kann zu fehlerhaftem Betrieb oder zum Verlust der Kontrolle führen.
- Interferenzen können zum Verlust der Kontrolle führen. Um Ihre Sicherheit und die anderer Personen zu gewährleisten, dürfen Sie nicht an den folgenden Orten betreiben:
 1. In der Nähe eines Ortes, an dem andere Funksteuerungsaktivitäten auftreten können.
 2. In der Nähe von Hochspannungsleitungen oder Kommunikationsfunkantennen
 3. In der Nähe von Menschen oder Straßen
 4. Auf einem Gewässer, auf dem sich Passagierboote befinden
- Verwenden Sie dieses Produkt nicht, wenn Sie müde sind, sich unwohl fühlen oder unter dem Einfluss von Alkohol oder Drogen stehen. Dies kann zu schweren Verletzungen bei Ihnen oder anderen führen.
- Das 2.4-GHz-Funkband ist auf die Sichtlinie beschränkt. Halten Sie Ihr Modell immer in Sichtweite, da ein großes Objekt HF-Signal blockieren und zum Verlust der Kontrolle führen kann.
- Berühren Sie keine Teile des Modells, die während des Betriebs oder unmittelbar nach dem Betrieb Wärme erzeugen können. Das Triebwerk, der Motor oder die Drehzahlregelung können sehr heiß sein und schwere Verbrennungen verursachen.



- Eine falsche Verwendung dieses Produkts kann zu schweren Verletzungen oder zum Tod führen. Um Ihre Sicherheit und die Ihres Geräts zu gewährleisten, lesen Sie dieses Handbuch und befolgen Sie die Anweisungen.
- Stellen Sie sicher, dass das Produkt ordnungsgemäß installiert ist. Bei Nichtbeachtung kann es zu schweren Verletzungen kommen.
- Stellen Sie sicher, dass der Empfängerakku abgeklemmt ist, bevor Sie den Sender ausschalten. Andernfalls kann es zu unbeabsichtigtem Betrieb kommen und ein Unfall verursacht werden.
- Achten Sie darauf, dass alle Motoren in der richtigen Richtung laufen. Falls nicht, stellen Sie die Richtung zuerst ein.
- Stellen Sie sicher, dass das Modell innerhalb des maximalen Bereichs des Systems bleibt, um einen Kontrollverlust zu vermeiden.

introduction

Der offiziell lizenzierte Suzuki Jimny im Maßstab 1:12 von FMS ist ein unfassbar detailgetreuer und funktionaler RC Scaler. Vom erstaunlich detaillierten Innenraum, über die Außenkarosserie bis hin zu Fahrwerk und Aufhängung ist dies ein RC-Modell, das seinem großen Vorbild in nahezu jedem Bereich nachempfunden ist. Der 1:12 Suzuki Jimny ist bereit, mit Dir die Wildnis zu erobern.

Realistische Karosseriedetails

- Offiziell lizenziertes Produkt der Suzuki Motor Corporation
- 4WD Allradantrieb
- Originallackierung, mit rostfreien Markierungen im Fotoätzverfahren
- Galvanisches Suzuki-Logo
- Fotoätzung des Wabengrills
- Beweglicher Rückspiegel
- Räder mit Naturkautschuk-Reifen
- Stoßstangen, Radkappen und Dach können für Modifikationen demontiert werden

Funktionale Beleuchtung mit bis zu 15 LEDs

- Scheinwerfer: Fernlicht / Abblendlicht
- Blinker wird aktiviert beim abbiegen
- Nebelscheinwerfer vorne und hinten können ferngesteuert aktiviert werden
- Bremslichter werden aktiviert beim Parken
- Rückfahrcheinwerfer werde aktiviert beim Rückwärtsfahren

Schickes Interieur

Super detaillierter Innenraum und Armaturenbrett

Klappbare Motorhaube mit detaillierter Motorenattrappe darunter

Seitentüren öffnen sich wie beim echten Jimny.

Das Lenkrad wird von einem unabhängigen Servo angetrieben, das mit der Vorderradlenkung verbunden ist

Verstellbare Vordersitze, passend zu 1:12-Figuren

Klappbare Heckklappe

Umklappbare Rücksitze für mehr Stauraum

Versteckter Stauraum im Kofferraum

Robustes Fahrwerk

Solide Rahmen-Vollchassis-Struktur

Rahmenschienen aus Metall

Vordere & hintere 3-Link Starrachsaufhängung mit Schraubenfeder

Der Scale-Motor beherbergt einen 180er-Motor mit einem Zweigang-Getriebe

Metall-Getriebe

25 Kugellager aus rostfreiem Stahl

U-Gelenk-Antriebswellen aus Metall

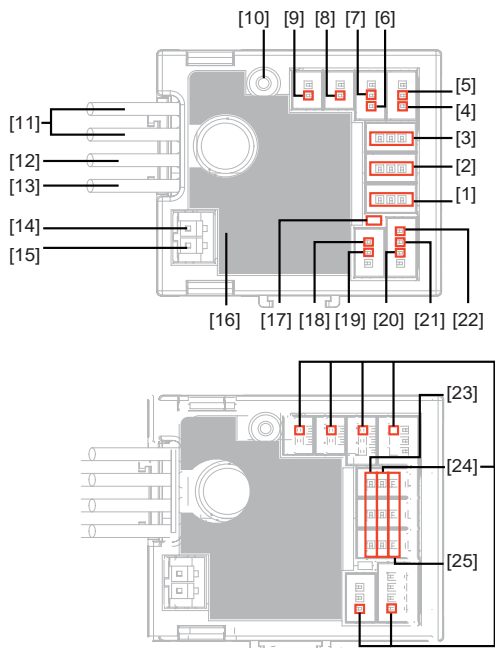
Akku, Servo, Empfänger, ESC, Lichtsteuerung - alles unter der Haube

Fernsteuerung Einleitung

Einleitung

Der auf dem ANT-Protokoll basierende FS-R4A1 ist ein Drei-in-Eins-Empfänger mit ESC und LED-Lichtgruppensteuerplatine. Er hat eine externe Einzelantenne, kann PWM-Signal und Lichtsteuersignal ausgeben, kann Zwei-Wege-Übertragung realisieren, und hat ein kompaktes Design, das an verschiedene Fahrzeugmodelle angepasst werden kann.

Übersicht



[1] CH1	[14] Motor +
[2] CH3	[15] Motor -
[3] CH4	[16] Aufkleber
[4] Blinker links	[17] LED
[5] Frontscheinwerfer	[18] Blinker links
[6] Blinker rechts	[19] Blinker rechts
[7] Frontscheinwerfer	[20] Rückfahrlichter
[8] Nebelscheinwerfer	[21] Bremslichter
[9] Nebelscheinwerfer	[22] Rücklichter
[10] Antenne	[23] Signal Pin
[11] Ein/Aus-Schalter	[24] Power +
[12] Akku +	[25] Power -
[13] Akku -	

Spezifikationen

- Produktname: FS-R4A1
- Adaptiver Sender: FS-MG41
- Modell-Typ: Auto
- Kanäle: 4
- Anzahl der Lichtschnittstellen: 7
- RF: 2,4GHz ISM
- 2.4G Protokoll: ANT
- Antenne: Einzelantenne
- Eingangsleistung: Lipo (2S)/NiMH (5~7Cell)
- BEC-Ausgang: 6V/1A
- Dauer-/Spitzenstrom: 10A/50A
- Daten-Ausgang: PWM
- Temperaturbereich: -10℃--+60℃
- Luftfeuchtigkeitsgrenze: 20%~95%
- Wasserdicht: PPX4
- Online-Update: Nein
- Abmessungen: 33mm*30mm*12mm
- Gewicht: Ca. 11g
- Zertifizierung: CE, FCC ID: N4ZR4A10

Binden

Der Empfänger geht automatisch in den Bindungszustand über, sobald er eingeschaltet wird.

Drücken Sie die BIND-Taste, um den Sender einzuschalten und ihn in den Binding-Zustand gehen zu lassen. Dabei blinkt die G.LED schnell, und der Bediener lässt die BIND-Taste los.

1. Wenn der Empfänger eingeschaltet ist und 1 Sekunde lang wartet, geht er automatisch in den Bindungszustand über, wenn er nicht verbunden ist.
2. Nach erfolgreichem Binden leuchtet die LED-Anzeige des Empfängers immer.

Hinweise:

(1) Bringen Sie zuerst den Sender in den Binding-Zustand und dann den Empfänger in den Binding-Zustand. Wenn die Bindung nicht innerhalb von 10s abgeschlossen ist, geht die Anzeigeleuchte des Empfängers in den langsam blinkenden Zustand über.

(2) Wenn das erneute Binden erfolgreich ist, werden alle Einstellungen der Kabinenbeleuchtung auf ihre Standardwerte zurückgesetzt.

Regler-Schutz

Dieser Empfänger verfügt über mehrere Prompt-Funktionen, wie z.B. Selbsttestanzeige beim Einschalten, Überhitzungsalarm und Nieder-/Hochspannungsalarm.

- **Selbsttest-Anzeige:** Alle Fahrzeugleuchten leuchten für 1S auf, wenn der Empfänger eingeschaltet wird;
- **Überhitzungsalarm:** Wenn die interne Temperatur des Reglers 110°C überschreitet, hat der Motor keine Leistung, alle Autolichter blinken sofort, und die normale Leistung wird wiederhergestellt, wenn die Temperatur niedriger als 70°C
- **Nieder-/Hochspannungsalarm:** Wenn der Empfänger in den Unterspannungsschutz geht, hat der Motor keinen Ausgang, und wenn der Empfänger in den Hochspannungsschutz geht, haben alle Kanäle keinen Ausgang. Alle Auto Lichter blinken sofort.

Steuerung des Scheinwerfers

Die Scheinwerfersteuerung funktioniert hauptsächlich über die Einstellung des Senders, um zwischen Lichtzustand und Lichtmodus zu verstellen.

In diesem Empfänger sind fünf Lichtsteuerungsmodi voreingestellt und jeder Modus hat den gleichen Lichtzustand der Rückfahrscheinwerfer, das heißt, wenn das Modellauto rückwärts fährt, bleiben die Rückfahrscheinwerfer mit hoher Helligkeit an und umgekehrt aus. Während die Blinker, Scheinwerfer, Bremslichter, Rücklichter und Nebelscheinwerfer, wie unten beschrieben, voneinander abweichen:

- **Standardmodus:** In diesem Modus bleibt der Blinker ausgeschaltet, egal ob das Modellauto abbiegt oder nicht; wenn die Bremse betätigt wird, ist das Bremslicht mit hoher Helligkeit an und umgekehrt aus; alle Scheinwerfer, Rücklichter und Nebelscheinwerfer bleiben ausgeschaltet.
- **Modus A:** In diesem Modus, wenn das Modellauto abbiegt, blinken die Blinker langsam und wenn die Bremse betätigt wird, ist das Bremslicht mit hoher Helligkeit an und umgekehrt aus; die Scheinwerfer sind in einem niedrigen Lichtzustand; die Rückleuchten und Nebelscheinwerfer sind immer aus.
- **Modus B:** In diesem Modus blinken die Blinker beim Abbiegen des Modellautos langsam; bei Betätigung der Bremse leuchtet das Bremslicht mit hoher Helligkeit, umgekehrt mit niedrigem Licht; die Scheinwerfer sind mit hoher Helligkeit eingeschaltet; die Rücklichter und die Nebelscheinwerfer sind immer aus.
- **Modus C:** In diesem Modus blinkt der Blinker langsam, unabhängig davon, ob das Modellauto abbiegt oder nicht; bei Betätigung der Bremse leuchtet das Bremslicht mit hoher Helligkeit, umgekehrt mit geringer Helligkeit; die Scheinwerfer leuchten mit hoher Helligkeit, die Rück- und Nebelscheinwerfer sind eingeschaltet.
- **Modus D:** In diesem Modus blinkt der Blinker langsam, wenn das Modellauto abbiegt; wenn die Bremse betätigt wird, ist das Bremslicht mit hoher Helligkeit eingeschaltet, umgekehrt ausgeschaltet; die Scheinwerfer sind ständig ausgeschaltet; die Rückleuchten und die Nebelscheinwerfer sind ständig eingeschaltet.

Hinweis:

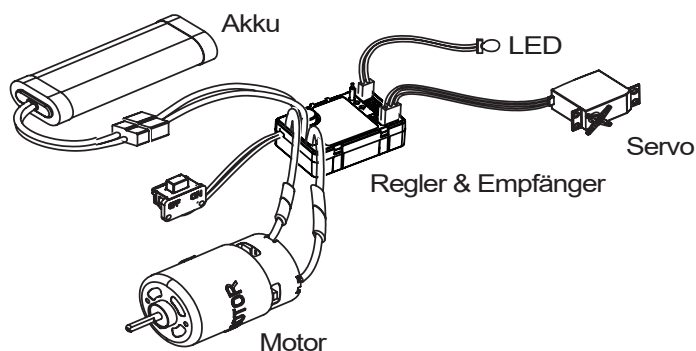
- (1) Drücken Sie die Taste CH4 auf der Fernbedienung, um den Arbeitsmodus der Reihe nach umzuschalten, von Standardmodus, Modus A, Modus B, Modus C bis hin zu Modus D. Bei jedem Drücken wird der Modus gewechselt.
- (2) Der Standardmodus ist jedes Mal eingeschaltet, wenn Sie das System einschalten.
- (3) Modus C stellt den Arbeitszustand des Notlichts dar, bei dem sowohl das linke als auch das rechte Blinklicht durch synchrones.

Regler Anleitung

1. zugehörige Geräte anschließen :

Stellen Sie sicher, dass der Regler vor dem Anschluss ausgeschaltet ist.

Verbinden Sie den Motor mit M+ und M- des Reglers. Verbinden Sie das Lenkservo an die 3Pin-Schnittstelle die mit "ST" des Reglers gekennzeichnet ist (- + S entsprechend anschließen). Verbinden Sie den Akku mit dem Plus und Minuspol des Reglers entsprechend.



2. Normaler Start, Identifikation Gashebelmitte:

Nachdem Sie die zugehörigen Geräte wie in Schritt 1 angeschlossen haben, schalten Sie zuerst das Funkgerät ein und bringen den Gashebel in die Neutralstellung. Schalten Sie als letztes den Schalter des Reglers ein. Der Empfänger erkennt den Akkutyp automatisch, wenn er wieder eingeschaltet wird. wieder einschalten. Dann kann er betrieben werden.

Hinweise:

- a. Der Regler kann nach Abschluss der Selbstinspektion (ca. 3 Sekunden) nach dem Einschalten betrieben werden, ansonsten kann er nicht normal betrieben werden.
- b. Wenn keine Leistung ausgegeben wird und das rote Licht des Reglers nach dem Einschalten schnell blinkt, prüfen Sie bitte, ob die Gastrimmung des Senders auf "0" steht, der Empfänger erkennt nach dem Einschalten automatisch die Mitte des des Trimmgasknüppels nach dem Neustart automatisch;
- c. Wenn die Drehrichtung während des Betriebs nicht stimmt, tauschen Sie die beiden Verbindungskabel zwischen Motor und Regler.
- d. Um sicher zu gehen, dass alles in Ordnung ist, schalten Sie bitte zuerst den Sender und dann den Regler ein, schalten Sie zuerst den ESC zuerst aus und schalten Sie dann den Sender aus.

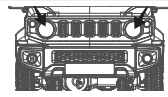
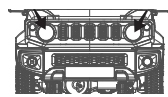
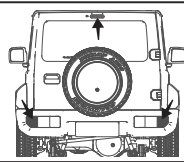
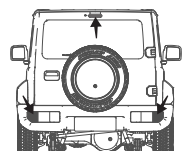
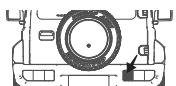
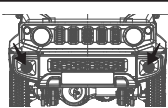
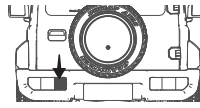
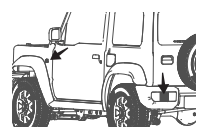

Hinweise: Details zum Akkutyp, zur Schleppbremskraft und zur Betriebsart des Reglers entnehmen Sie bitte den entsprechenden Abschnitten des Reglers.

Failsafe

Diese Funktion dient der Sicherheit des Modells und des Bedieners, wenn der Empfänger kein Signal vom Sender empfangen kann und außer Kontrolle gerät. Der Empfänger geht davon aus, dass der Gaskanal außer Kontrolle geraten ist und geht in den Bremszustand über. Nachdem andere Kanäle außer Kontrolle geraten sind, hat der Empfänger keinen Signalausgang. Wenn Sie ihn am Sender einstellen, wird er entsprechend dem eingestellten Wert ausgegeben.

Achtung!








- Stellen Sie sicher, dass das Produkt korrekt installiert und kalibriert ist, andernfalls kann es zu schweren Verletzungen kommen.
- Überprüfen Sie bitte sorgfältig die Anweisungen für jedes Stromversorgungsgerät und den Fahrzeugrahmen, um sicherzustellen, dass die Stromanpassung angemessen ist vor der Verwendung. Vermeiden Sie eine Beschädigung des Stromversorgungssystems aufgrund einer falschen Anpassung.
- Achten Sie darauf, dass die Außentemperatur des Systems 90°C / 194°F nicht überschreitet, da eine hohe Temperatur das Stromversorgungssystem beschädigt.
- Vergewissern Sie sich, dass der Akku des Empfängers abgeklemmt ist, bevor Sie den Sender ausschalten, andernfalls kann es zu unbeabsichtigtem Betrieb oder Kontrollverlust führen.
- Denken Sie daran, nach dem Gebrauch den Akku und den Regler abzuklemmen. Wenn der Akku nicht abgeklemmt wird, verbraucht der Regler die ganze Zeit Strom, auch wenn er ausgeschaltet ist. Er entlädt sich vollständig, wenn der Akku über einen längeren Zeitraum angeschlossen Dies kann zu einem Ausfall des Akkus oder des Reglers führen. Wir sind nicht verantwortlich für Schäden, die dadurch entstehen dies!
- Achten Sie darauf, dass der Empfänger nicht in der Nähe von Motoren oder anderen Geräten, die übermäßige elektrische Geräusche abgeben, montiert wird.
- Halten Sie die Antenne des Empfängers mindestens 1 cm von leitenden Materialien wie Kohle oder Metall entfernt.
- Schalten Sie den Empfänger während des Einrichtungsvorgangs nicht ein, um einen Kontrollverlust zu vermeiden.

				Times for Pressing							
Schalter	LED	Funktion	Power ist standardm. ausgesch.	I	II	III	IV	V	Kontroll Modus	Bemerkung	
CH4	Scheinwerfer	Leuchtet weiss		AUS	•	AUS	AUS	AUS			
		Leuchtet sehr hell weiss		AUS	AUS	•	•	AUS			
	Rückleuchte	Standard		AUS	•	•	•	AUS			
		Rücklichter werden rot mit hoher Helligkeit während dem Bremsen		○	○	○	○	○	Steuerung des Gashebles	Bremsleuchten sind eingeschaltet mit hoher Helligkeit während des Bremsens	
		Weisse Rückfahrlichter		○	○	○	○	○	Steuerung des Gashebles	Rückfahrlicht ist an	
	Nebelscheinwerfer	Gelbe Lichter		AUS	AUS	AUS	•	•			
		Rote Lichter		AUS	AUS	AUS	•	•			
	Blinker	Linker Blinker gelb		AUS	○	○	○	○	Richtungsteuerung des Gestänges	3 linke Blinker blinken automatisch in dem Linksabbieger mit einem 1-Sekunden-Blinken Frequenz, nämlich 0,5 Sek. an und 0,5 Sek. aus 0,5 sec.	
		Rechter Blinker gelb		AUS	○	○	○	○	Richtungsteuerung des Gestänges	3 rechte Blinker blinken automatisch in dem Rechtsabbieger mit einem 1-Sekunden-Blinken Frequenz, nämlich 0,5 Sek. an und 0,5 Sek. aus 0,5 sec.	
		Die Bremslichter blinken		AUS	AUS	AUS	•	AUS		6 linke und rechte Blinker blinken automatisch in dem Linksabbieger mit einem 1-Sekunden-Blinken Frequenz, nämlich 0,5 Sek. an und 0,5 Sek. aus 0,5 sec.	

erste schritte

Installieren Sie vor dem Betrieb den Akku und schließen Sie das System wie unten beschrieben an.

★ Einsetzen der Senderbatterien

 Danger	Verwenden Sie nur die angegebene Batterie (X4 AA-Batterien).
 Danger	Öffnen Sie den Akku nicht, nehmen Sie ihn nicht auseinander und versuchen Sie nicht, ihn zu reparieren.
 Danger	Die Batterie nicht quetschen/einstecken und die externen Kontakte nicht kurzschließen.
 Danger	Setzen Sie das Gerät nicht übermäßiger Hitze oder Flüssigkeiten aus.
 Danger	Lassen Sie den Akku nicht fallen und setzen Sie ihn keinen starken Stößen oder Vibrationen aus.
 Danger	Lagern Sie den Akku immer an einem kühlen, trockenen Ort.
 Danger	Verwenden Sie den Akku nicht, wenn er beschädigt ist.

Batterie-Typ: AAA

Installation der Batterie:

1. Öffnen Sie den Batteriefachdeckel.
2. Legen Sie 4 vollständig geladene AAA-Batterien in das Fach ein. Achten Sie darauf, dass die Batterie guten Kontakt mit den Kontakten des Batteriefachs hat.
3. Schließen Sie den Batteriefachdeckel wieder.

Alarm bei niedrigem Batteriestand: Wenn die Batterie weniger als 4.2 V aufweist, blinkt die LED auf dem Bedienfeld langsam.

anleitung

Befolgen Sie nach dem Einrichten die folgenden Anweisungen, um das System zu bedienen.

1. Automatischer Codeabgleich (Sender und Empfänger sind vor Verlassen des Werks erfolgreich codiert worden).

Wenn Sie einen anderen Sender oder Empfänger ersetzen müssen, führen Sie bitte die folgenden Schritte zur Codierung aus:

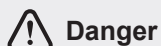
1. Wenn der Sender eingeschaltet und der Codeabgleichmodus aktiviert ist, blinkt die Leuchte ständig;
2. Die Stromversorgung der Empfangsplatine wird eingeschaltet, und die vorderen Lichter blinken weiter, um den Codeanpassungsmodus zu aktivieren;
3. Wenn der Codeabgleich erfolgreich war, leuchten alle Leuchten des Senders und alle Leuchten am Fahrzeug sind aus;

Hinweis: Wenn Sie den Code abgleichen, betätigen Sie bitte zuerst den Sender, um in den Codeabgleichsmodus zu gelangen, und dann betätigen Sie dann den Empfänger, um in den Codeabgleichsmodus zu gelangen.

2. AUSSCHALTEN

Führen Sie die folgenden Schritte aus, um das System auszuschalten:

1. Trennen Sie den Empfänger von der Stromversorgung.
2. Schalten Sie den Netzschalter des Senders auf die Position "Aus".



Danger

Stellen Sie sicher, dass Sie die Stromversorgung des Empfängers unterbrechen, bevor Sie den Sender ausschalten. Die Nichtbeachtung kann zu Schäden oder schweren Verletzungen führen.

anweisungen

1. Spezifikation der Fernsteuerung

Modell	FS-MG41
Channels	4
Einsatzzweck	RC Autos, Boat
Frequenz	2.4GHz ISM
Sender Power	<20dBm
Protokoll	ANT
Reichweite	>150m(ground)
Auflösung	1024
Batterie	6V DC 1.5AAA*4
Lade-Interface	Nein
Nutzungsdauer	Abhängig vom Batterie-Typ
Warnung bei niedriger Spannung	<4.2V
Antenne	eingebaute Antenne
Daten-Interface	Nein
Temperatur	-10°C— +60°C
Luftfeuchtigkeit	20—95%
Online Update	Nein
Farbe	Schwarz
Abmessungen	118mm x 73mm x 145mm
Gewicht	130g
Zertifizierung	CE,FCC ID:N4ZMG400

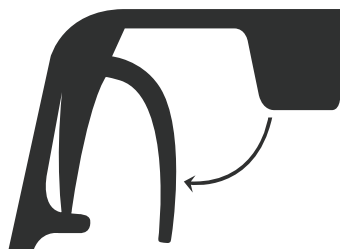
POSITION DES GASHEBELS

position des gashebels

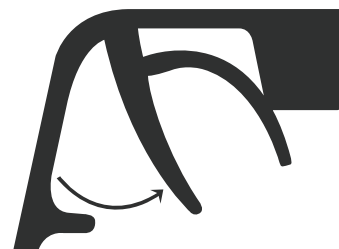
Neutral



Vorwärts



Bremse/Rückwärts

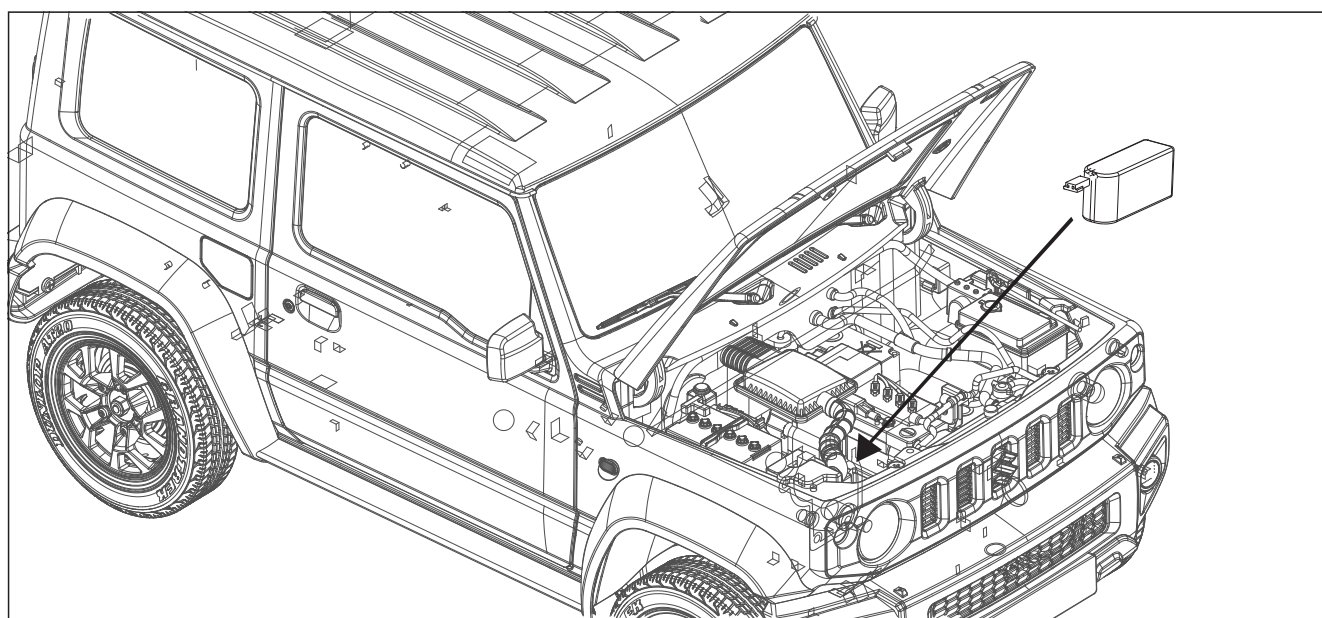


FAHRZEUG-EINSTELLUNG

akku einsetzen

Schritt 1: Öffnen Sie die Motorhaube.

Schritt 2: Legen Sie den Akku in den Akkukasten und schließen Sie den Stecker an.



BEDIENUNG DES FAHRZEUGS

Schritt 1: Schalten Sie den Sender ein, die LED des Senders blinkt und wechselt in den Frequenzanpassungsmodus.

Schritt 2: Schalten Sie den Empfängerschalter ein, die LED blinkt und geht in den Frequenzanpassungsmodus.

Schritt 3: wenn der Sender und der Empfänger erfolgreich in der Frequenz sind, werden die vorderen Lichter des Senders für eine lange Zeit an sein, und die vorderen Lichter des Fahrzeugs werden aus sein.

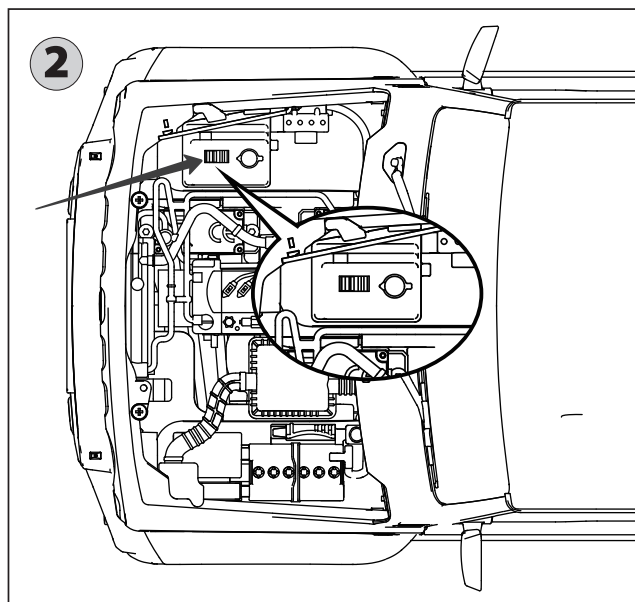
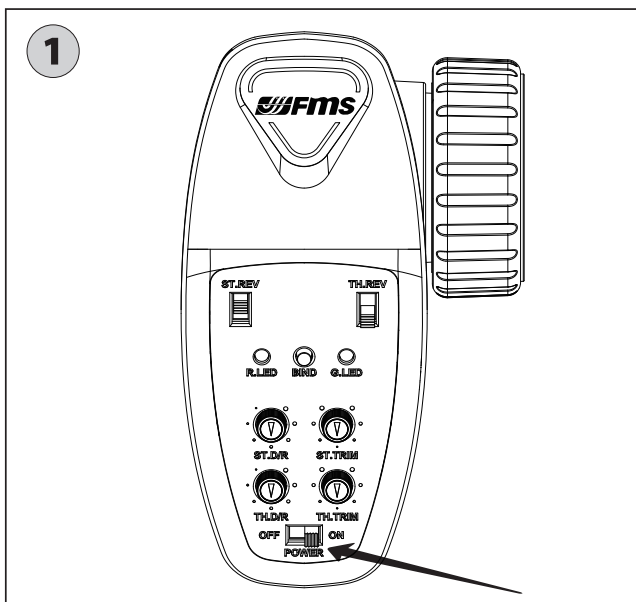


TABLE DES MATIÈRES

CONSIGNES DE SÉCURITÉ	29
ENSEMBLE DE RADIOCOMMANDE	31
POSITIONS DE LA GÂCHETTE DES GAZ	39
CONFIGURATION DU VÉHICULE	39
UTILISATION DU VÉHICULE	40
ENSEMBLE DE LA CARROSSERIE	52
ENSEMBLE DU CHASSIS	53
ENSEMBLE DES AMENAGEMENTS DE CABINE	54
ENSEMBLE ESSIEU AVANT	55
ENSEMBLE DE LA BOITE DE VITESSES	56
ENSEMBLE ESSIEU ARRIÈRE	57
ENSEMBLE AMORTISSEUR	58
ENSEMBLE BOITIER DE TRANSMISSION	58
SERVO DE DIRECTION	59
Nomenclature (I)	64
Nomenclature (II)	65

CONSIGNES DE SÉCURITÉ

INTRODUCTION

Ce manuel est rédigé afin de vous aider à utiliser, entretenir et réparer correctement le véhicule. Comme de nombreux composants sont spécifiques pour cette voiture, pensez à conserver ce manuel comme référence pour le futur. Constitué d'éléments de haute précision, le Jimny au 1/12^e de FMS n'est pas un jouet et n'est donc pas adaptée pour une utilisation par des enfants de moins de 14 ans. Les mineurs doivent être accompagnés par un adulte lors de l'utilisation. Ne pas utiliser ou entretenir ce véhicule correctement peut entraîner des blessures. Il est de la seule responsabilité du propriétaire d'utiliser et d'entretenir correctement ce produit. FMS et ses distributeurs ne sont responsables en aucune manière de blessures et/ou de dégâts matériels pouvant résulter de l'utilisation de ce produit. Remplacez les éléments endommagés par des pièces d'origine. Faites particulièrement attention aux polarités de tous les câblages du véhicule.

CONSIGNES DE SÉCURITÉ ET AVERTISSEMENTS

- Remplacez les éléments endommagés par des pièces d'origine. Faites particulièrement attention aux polarités de tous les câblages du véhicule.
- Faites preuve de bon sens lors du choix de l'environnement où vous utilisez votre véhicule. Ne l'utilisez pas à proximité de lignes électriques, de tours de transmission ou d'émetteurs de téléphonie mobile, sur des eaux profondes ou des terrains instables. L'utilisateur est seul responsable de ses actions.
- Le produit comprend des éléments électroniques de précision. Il est capital de tenir ce produit à l'écart de l'humidité et d'autres contaminants.
- Contrôlez toujours la portée radio avant utilisation afin d'éviter une perte de transmission ou des interférences.
- Utilisez ce produit en fonction de vos capacités. S'il est dangereux de récupérer le véhicule, ça ne vaut jamais la peine de prendre des risques.
- Allumez toujours l'émetteur avant de brancher la batterie du modèle. Pour la mise hors tension, débranchez toujours la batterie du modèle avant d'éteindre l'émetteur. En procédant en sens inverse, le modèle peut devenir incontrôlable et causer des dégâts importants.
- Ne faites jamais fonctionner l'émetteur avec des piles faibles, cela peut causer une perte de contrôle.
- Les plastiques du véhicule peuvent être endommagés ou déformés en cas de climat extrêmement chaud ou froid. Ne stockez pas le modèle près de sources de chaleur comme un four ou une bouche de chauffage. Rangez le modèle à l'intérieur, dans une pièce à température tempérée et contrôlée.

Informations sur la conformité CE pour l'Union européenne

Les agences de réglementation associées aux pays suivants reconnaissent les certifications notées pour ce produit comme autorisé à la vente et à l'utilisation.

UK	DE	DK	BG	SE	GZ	ES	NL	SK	HU	RO	FR	PT
FI	EE	LV	LT	PL	AT	CY	SI	GR	MT	IT	IE	LU

Déclaration de conformité

Produits : Contrôleur 2,4 GHz

Classe d'équipement : 2

Les objets de la déclaration décrits ci-dessus sont en conformité

aux exigences du cahier des charges énumérés ci-dessous.

Nom de l'élément : Contrôleur 2,4 GHz

The RED Directive 2014/53/EU

EN 60950-1:2006 + A11:2009 + A1:2010 + A12:2011 + A2:2013

EN 300 328 V2.1.1:2016

EN 301 489-1 V2.1.1:2017

EN 301 489-17 V3.1.1:2017

Merci de lire attentivement ce manuel avant utilisation. Nous ne sommes pas responsables de tous dégâts intentionnels ou d'une mauvaise utilisation. Si vous avez besoin d'informations supplémentaires ou si vous avez des questions concernant le produit ou son utilisation, merci de nous contacter via notre site : www.fmsmodel.com

Ce produit n'est pas un jouet ! Il est conseillé pour des enfants de 14 ans ou plus. La surveillance par un adulte est obligatoire pour les moins de 14 ans. Contient de petites pièces, tenir hors de portée des enfants de moins de trois ans.



Conformité

Déclaration de conformité FCC

Cet appareil est conforme à la partie 15 des règles de la FCC. L'utilisation est soumise aux deux conditions suivantes : 1. Cet appareil ne peut pas causer d'interférences nuisibles, et. 2. Cet appareil doit accepter toute interférence reçue, y compris les interférences qui peuvent causer des fonctionnements indésirables.

Avertissement : Tout changement ou modification non approuvée expressément par la partie responsable de la conformité peut annuler le droit de l'utilisateur d'utiliser l'équipement.

Ce matériel a été testé et déclaré conforme aux limites d'un appareil numérique de classe B, conformément à la Part 15 des règles de la FCC. Ces limites sont conçues pour fournir une protection raisonnable contre les interférences nuisibles dans une installation résidentielle. Cet équipement génère, utilise et peut émettre de l'énergie radioélectrique et, s'il n'est pas installé et utilisé conformément aux instructions, peut provoquer des interférences nuisibles aux communications radio.

Cependant, il n'y a aucune garantie que des interférences ne se produiront pas dans une installation particulière.

Si cet équipement provoque des interférences nuisibles à la réception de la radio ou de la télévision, ce qui peut être déterminé en éteignant et en rallumant l'équipement, l'utilisateur est encouragé à essayer de corriger les interférences par une ou plusieurs des mesures suivantes :

1. Réorientez ou déplacez l'antenne de réception.
2. Augmentez la distance entre l'équipement et le récepteur.
3. Connectez l'équipement à une prise sur un circuit différent de celui auquel le récepteur est connecté.
4. Consultez le revendeur ou un technicien radio/TV expérimenté pour obtenir de l'aide.

Déclaration EU DoC

Par la présente, [Flysky Technology co., ltd] déclare que l'équipement radio [FS-R4A1] est conforme à la norme RED2014/53/EU. Le texte intégral de la DoC de l'UE est disponible à l'adresse Internet suivante : www.flysky-cn.com.

Avertissement sur l'exposition aux rayonnements RF.

Cet équipement est conforme aux limites d'exposition aux radiations FCC établies pour un environnement non contrôlé. Il doit être utilisé avec une distance minimale de 20 cm entre l'antenne et votre corps. Cet émetteur ne doit pas être au même endroit ou utilisé conjointement avec une autre antenne ou un autre émetteur.

Élimination respectueuse de l'environnement

Les appareils électriques usagés ne doivent pas être éliminés avec les ordures ménagères, mais doivent-ils être éliminés séparément. L'élimination doit se faire dans un centre de collecte de déchets. Le propriétaire d'appareils usagés est responsable d'apporter les appareils à ces points de collecte ou centres de recyclages. Avec ce petit effort personnel, vous contribuez au recyclage de matières premières précieuses et au traitement des substances toxiques.






FCC ID: N4ZR4A10

ENSEMBLE DE RADIOCOMMANDE

SYMBOLES DE SÉCURITÉ

Faites bien attention aux symboles suivants et à leur signification. Ne pas respecter ces avertissements peut causer des dégâts matériels, des blessures et même entraîner la mort.

 Avertissement	Ne pas respecter ces instructions peut causer des blessures légères.
 Attention	Ne pas respecter ces instructions peut causer des blessures graves.
 Danger	Ne pas respecter ces instructions peut causer des blessures graves et même la mort.

CONSIGNES DE SÉCURITÉ



Interdit



Obligatoire



- N'utilisez pas ce produit la nuit ou par mauvais temps comme sous la pluie ou sous un orage. Cela peut entraîner un fonctionnement erratique ou une perte de contrôle.
- N'utilisez pas ce produit si la visibilité est limitée.
- N'utilisez pas ce produit sous la pluie ou les jours de neige. Toute exposition à l'humidité (eau ou neige) peut entraîner un fonctionnement erratique ou une perte de contrôle.
- Une interférence peut entraîner une perte de contrôle. Pour assurer votre sécurité et celle des autres, n'utilisez pas ce produit dans les endroits suivants :
 1. A proximité de sites ou d'autres activités de radiocommande peuvent avoir lieu.
 2. A proximité de lignes électriques ou d'antennes de télécommunications ou relais TV.
 3. A proximité de personnes ou de routes.
 4. Sur des plans d'eau si des bateaux avec passagers sont présents.
- N'utilisez pas ce produit si vous êtes fatigué, pas en forme, ou sous l'influence d'alcool ou de drogues. Ceci peut entraîner des blessures graves pour vous ou pour les autres.
- La bande radio 2,4 GHz est limitée à la portée visuelle directe. Gardez toujours votre modèle en vue car un gros objet peut bloquer le signal RF et entraîner une perte de contrôle.
- Ne touchez aucun élément du modèle qui peut générer de la chaleur lors de l'utilisation ou juste après usage. Le moteur ou le contrôleur de vitesse peuvent devenir très chauds et entraîner des brûlures graves.



- Une mauvaise utilisation de ce produit peut causer des blessures graves et même la mort. Pour assurer votre sécurité et celles des autres, ainsi que celle de votre matériel, lisez ce manuel et suivez les instructions.
- Assurez-vous que le produit est correctement installé dans votre modèle. Ne pas le faire peut causer des blessures graves.
- Veillez à toujours débrancher la batterie du modèle avant d'éteindre l'émetteur. Ne pas le faire peut entraîner un fonctionnement non désiré et causer un accident.
- Vérifiez que tous les moteurs tournent dans le bon sens. Sinon, régler les sens de rotation avant tout.
- Assurez-vous que le modèle reste à une distance inférieure à la portée de l'ensemble radio afin d'éviter toute perte de contrôle.

INTRODUCTION

Avec son aménagement intérieur et sa carrosserie extérieure incroyablement détaillés, son châssis et sa suspension, c'est un modèle RC qui reproduit son homologue grandeur nature dans pratiquement tous les domaines. La Suzuki Jimny au 1:12 est prête à conquérir la nature sauvage.

Détails de carrosserie réalistes

- Produite sous licence officielle de Suzuki Motor Corporation.
- 4 roues motrices, RTR.
- Carrosserie peinte dans la couleur d'origine, avec marquages en acier inoxydable obtenus par photo-découpe.
- Logo Suzuki et boîtiers de phares réalisés en galvanoplastie.
- Calandre nid d'abeille et rétroviseur mobile authentiques photo-découpés.
- Jantes finement travaillées équipées de pneus en caoutchouc naturel.
- Pare-chocs, ailes et toit peuvent se démonter pour les personnaliser.
- Système impressionnant d'éclairage comprenant jusqu'à 15 LEDs.
 - Phares : Pleins phares / Feux de croisement
 - Clignotants : Clignotants activés lors des virages / Commutateur de warnings
 - Feux de brouillard : les feux de brouillard avant et arrière peuvent être activés à distance.
 - Feux stop : activés lors du stationnement.
 - Feux de recul : activés en marche arrière.

Intérieur chic

- Soulevez le capot pour découvrir un moteur maquette réaliste avec des détails fins.
- Les portes latérales s'ouvrent comme sur le vrai Jimny.
- Le volant est entraîné par un servo indépendant et lié au mouvement des roues avant.
- Sièges avant réglables, pour correspondre parfaitement avec des figurines au 1:12.
- Ouvrez la porte arrière, repliez les sièges arrière et profitez d'un espace de rangement spacieux !
- Le coffre dispose d'un espace de rangement caché.
- Intérieur et tableau de bord super-détaillés.

Châssis robuste

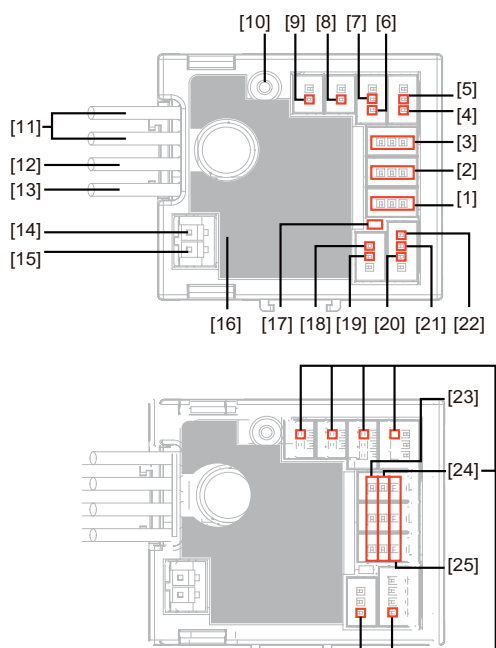
- Structure de châssis à cadre plein robuste.
- Longerons de châssis en métal.
- Suspensions avant et arrière par essieu rigide à 3 bras et ressorts hélicoïdaux.
- Le moteur maquette cache un moteur format 180 avec une transmission à deux rapports.
- Pignons métalliques.
- 25 roulements à billes en acier inoxydable.
- Intérieur et tableau de bord super détaillés.
- Batterie, servo, récepteur, variateur, commande d'éclairage — tout est sous le capot.

INSTRUCTIONS POUR L'ÉMETTEUR

Introduction

Le FS-R4A1 basé sur le protocole ANT est un récepteur trois-en-un avec variateur et panneau de contrôle du système d'éclairage à LEDs. Il possède une seule antenne externe, peut émettre un signal PWM et un signal de contrôle des éclairages, peut mettre en œuvre une transmission bidirectionnelle, adopte un appairage automatique et a une conception compacte, qui peut être adaptée à divers modèles de voitures.

Vue d'ensemble



- | | |
|-------------------------------------|-----------------------------------|
| [1] CH1 | [14] Connecteur moteur "+" |
| [2] CH3 | [15] Connecteur moteur "-" |
| [3] CH4 | [16] Stickers |
| [4] Connecteur clignotant gauche | [17] LED |
| [5] Connecteur phare avant | [18] Connecteur clignotant gauche |
| [6] Connecteur clignotant droit | [19] Connecteur clignotant droit |
| [7] Connecteur phare avant | [20] Connecteur feu de recul |
| [8] Connecteur phare antibrouillard | [21] Connecteur feu stop |
| [9] Connecteur phare antibrouillard | [22] Connecteur phare arrière |
| [10] Antenne | [23] Broche de signal |
| [11] Interrupteur | [24] Puissance "+" |
| [12] Fil de batterie "+" | [25] Puissance "-" |
| [13] Fil de batterie "-" | |

Caractéristiques

- Nom du produit : FS-R4A1
- Emetteur adaptatif : FS-MG41
- Type de modèle : Voiture
- Nombre de voies : 4
- Nombre d'interfaces d'éclairage : 7
- RF : 2,4 GHz ISM
- Protocole 2,4G : ANT
- Antenne : Antenne simple
- Alimentation : LiPo (2S) / NiMH (5 à 7 éléments)
- Sortie BEC : 6V / 1A
- Courant max en continu / en pointe : 10 A / 50 A
- Sortie de données : PWM
- Plage de température : -10 °C à +60 °C
- Limites d'humidité : 20 % à 95 %
- Etanchéité : PPX4
- Mise à jour en ligne : Non
- Dimensions : 33 x 30 x 12 mm
- Poids : environ 10 g
- Certification : CE, FCC ID: N4ZR4A10

Appairage

Le récepteur passe automatiquement en mode d'appairage à sa mise sous tension.

Appuyez sur le bouton BIND pour allumer l'émetteur et laissez-le entrer en mode d'appairage. Alors, la LED verte clignote rapidement, l'opérateur relâche alors le bouton BIND.

1. Quand le récepteur est allumé et en attente durant une seconde, il passe automatiquement en mode d'appairage s'il n'est pas connecté. 2. Une fois l'appairage réussi, l'indicateur à LED est allumé fixe.

Notes :

(1) Commencez par mettre l'émetteur en mode d'appairage, puis allumez le récepteur en mode d'appairage. Si l'appairage

n'est pas terminé dans les 10 secondes, l'indicateur lumineux du récepteur se met à clignoter lentement.

(2) Si le ré-appairage est réussi, tous les réglages de l'éclairage de la voiture sont réinitialisés à leurs valeurs par défaut.

Protections du variateur

Ce récepteur offre de multiples fonctions comme la réalisation d'un auto-test à la mise sous tension, une alarme de surchauffe et une alarme de tension trop forte ou trop faible.

Affichage de l'auto-test : Toutes les lumières de la voiture doivent s'allumer durant 1 seconde lors de la mise sous tension du récepteur.

Alarme de surchauffe : Quand la température interne du variateur dépasse les 110 ° C, le moteur est coupé, toutes les lumières clignotent rapidement et l'alimentation du moteur est restaurée quand la température du variateur passe sous les 70 °C.

Alarme de tension trop élevée ou trop basse : Quand le récepteur passe en protection de tension trop faible, le moteur est coupé et toutes les lumières clignotent lentement. Quand le récepteur passe en protection de tension trop élevée, l'alimentation est coupée sur tous les canaux et toutes les lumières clignotent rapidement.

Contrôle de l'éclairage

Le contrôle des éclairages fonctionne principalement via le réglage par l'émetteur pour réaliser la conversion entre l'état de l'éclairage et mode d'éclairage.

Ce récepteur dispose de cinq modes de contrôle prédéfinis et chaque mode partage le même fonctionnement du phare de recul, à savoir que quand le véhicule fait marche arrière, le phare de recul s'allume avec une forte intensité, et inversement, il s'éteint en marche avant. Par contre, les clignotants, les phares avant, les feux stop, les feux arrière et les antibrouillards ont un fonctionnement variable selon le mode, tel que décrit ci-dessous.

- **Mode par défaut** : Dans ce mode, que le véhicule tourne ou pas, les clignotants restent éteints. Quand on freine, les feux stop s'allument avec une forte intensité, inversement, ils s'éteignent quand on ne freine pas. Les phares avant, feux arrière et antibrouillards restent éteints.

- **Mode A** : Dans ce mode, quand le véhicule tourne, les clignotants clignotent lentement, et quand on freine, les feux stop sont allumés avec une forte intensité. Quand on ne freine pas, les stops sont allumés à faible intensité. Les phares avant sont allumés à faible intensité. Les feux arrière et antibrouillards restent éteints.

- **Mode B** : Dans ce mode, quand le véhicule tourne, les clignotants clignotent lentement, et quand on freine, les feux stop sont allumés à haute intensité. Quand on ne freine pas, les stops sont allumés à faible intensité. Les phares avant sont allumés à forte intensité. Les feux arrière et antibrouillards restent éteints.

- **Mode C** : Dans ce mode, que le véhicule tourne ou pas, tous les clignotants clignotent lentement (Warnings), et quand on freine, les feux stop sont allumés avec une forte intensité. Quand on ne freine pas, les stops sont éteints. Les phares avant sont allumés à forte intensité. Les feux arrière et antibrouillards sont allumés.

- **Mode D** : Dans ce mode, quand le véhicule tourne, les clignotants clignotent lentement, et quand on freine, les feux stop sont allumés à haute intensité. Quand on ne freine pas, les stops sont éteints. Les phares avant sont éteints. Les feux arrière et antibrouillards sont allumés.

Notes :

(1) Appuyez sur le bouton CH4 de l'émetteur pour basculer en boucle entre le mode par défaut, le mode A, le mode B, le mode C et le mode D. Chaque appui fait avancer d'un mode.

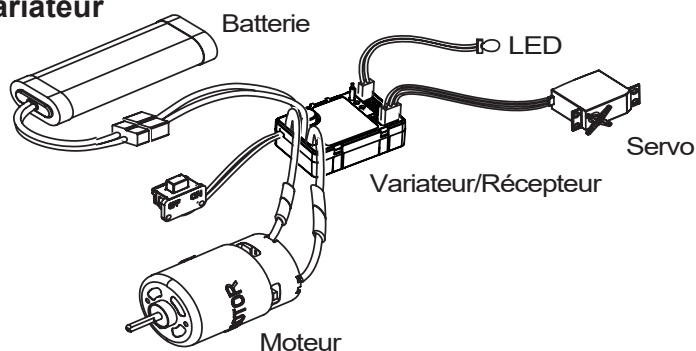
(2) Le mode par défaut est actif chaque fois que vous allumez le système.

(3) Le mode C correspond au mode d'urgence avec Warnings allumés, c'est-à-dire les clignotants des deux côtés clignotent simultanément lentement.

Instructions pour le fonctionnement du variateur

1. Connexion des équipements associés

Assurez-vous que le variateur est hors tension avant de faire les branchements. Branchez le moteur sur les bornes M+ et M- du variateur. Branchez le servo de direction sur la borne à 3 broches notée "ST" sur le variateur (en faisant correspondre - + S). Branchez la batterie en respectant les polarités des pôles positifs et négatifs du variateur.



2. Mise sous tension normale, identification du point milieu des gaz

Après avoir connecté les équipements comme indiqué à la première étape, allumez d'abord l'émetteur, placez la gâchette des gaz au neutre. Mettez l'interrupteur du variateur sur ON ensuite. Le récepteur va reconnaître automatiquement le type de batterie quand il est remis sous tension. Il peut alors fonctionner.

Notes :

- Le variateur ne peut fonctionner qu'après avoir réalisé son auto-test (environ 3 secondes) à l'allumage, sans quoi, il ne peut fonctionner normalement.
- Si vous n'avez pas de puissance de sortie et que la LED rouge du variateur clignote rapidement après mise sous tension, vérifiez que le trim de gaz de l'émetteur est en position "0" (neutre). Le récepteur reconnaîtra automatiquement le point neutre du trim de gaz après redémarrage.
- Si le moteur ne tourne pas dans le bon sens, intervertissez les deux fils reliant le variateur au moteur.
- Pour être certain que tout se passe bien, allumez toujours d'abord l'émetteur, puis le variateur, et éteignez toujours d'abord le variateur puis l'émetteur.

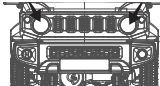
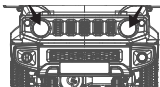
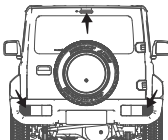
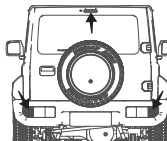
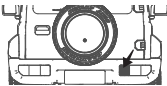
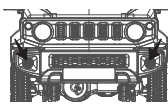
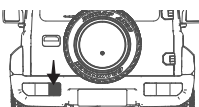


Notes: Merci de vous reporter aux chapitres dédiés pour les détails sur le type de batterie, la force de frein moteur et les modes de fonctionnement du variateur.

Fail-Safe

Cette fonction sert à protéger le modèle et l'utilisateur si le récepteur ne peut pas recevoir normalement le signal de l'émetteur et que le contrôle est perdu. Par défaut, le récepteur détecte un problème avec le signal des gaz et passe alors en mode de freinage. Toutes les autres voies sont hors de contrôle, le récepteur n'envoie pas de signal de sortie. Si vous avez réglé une position depuis l'émetteur, le récepteur mettra les autres voies dans la position que vous avez pré-réglée.

Attention :








- Assurez-vous que le produit est correctement installé et calibré. Ne pas le faire peut conduire à des blessures graves.
- Vérifiez soigneusement tous les éléments alimentés et les instructions du châssis de la voiture pour vous assurer que la puissance correspond à un usage raisonnable. Évitez d'endommager l'ensemble de motorisation à cause d'un mauvais choix de correspondance.
- Ne dépassez pas une température externe du système de 90 ° C / 194 ° F, une trop forte température endommagerait le système.
- Assurez-vous d'avoir débranché la batterie du récepteur avant d'éteindre l'émetteur afin de ne pas risquer de fonctionnement non désiré ou une perte de contrôle.
- Après usage, pensez à débrancher la batterie du variateur. **Si la batterie n'est pas débranchée, le variateur consommera de l'énergie même si l'interrupteur est sur OFF.** Cela déchargera complètement la batterie si celle-ci reste branchée longtemps. Ceci peut causer une panne de la batterie ou du variateur. Nous ne sommes en aucun cas responsables de dégâts entraînés par un oubli par l'utilisateur de débrancher la batterie.
- Assurez-vous que le récepteur est monté à l'écart de moteurs ou autres matériels produisant un "bruit électrique".
- Tenez l'antenne du récepteur à au moins 1 cm de matériaux conducteurs comme du carbone ou du métal.
- N'allumez pas le récepteur durant la phase d'initialisation pour éviter une perte de contrôle.

Bouton	Position d'éclairage	Fonction	Power on is off by default	Nombre d'appuis					Moyen de contrôle	Remarques	
				I	II	III	IV	V			
CH4	Phares avant	Phares blancs toujours ON		OFF	•	OFF	OFF	OFF			
		Phares blancs toujours ON, haute intensité		OFF	OFF	•	•	OFF			
	Feux arrière	Toujours ON		OFF	•	•	•	OFF			
		Les feux arrière deviennent rouges avec une luminosité élevée pendant le fonctionnement des freins		○	○	○	○	○	Contrôle par commande des gaz	Les feux stop sont allumés avec une luminosité élevée pendant le fonctionnement des freins	
		Feux de recul blanc		○	○	○	○	○	Contrôle par commande des gaz	Le phare de recul s'allume quand vous faites marche arrière.	
	Antibrouillard	Phares avant jaunes allumés		OFF	OFF	OFF	•	•			
		Phare arrière rouge allumé		OFF	OFF	OFF	•	•			
	Clignotants	Clignotant gauche		OFF	○	○	○	○	Contrôle par commande de direction	Les 3 clignotants gauches clignent avec un intervalle d'une seconde (0.5 s allumé, 0.5 s éteint)	
		Clignotant droit		OFF	○	○	○	○	Contrôle par commande de direction	Les 3 clignotants droits clignent avec un intervalle d'une seconde (0.5 s allumé, 0.5 s éteint)	
		Feux de détresse		OFF	OFF	OFF	•	OFF		Les 6 clignotants gauche et droit clignent quelle que soit la direction avec un intervalle d'une seconde (0.5 s allumé, 0.5 s éteint)	

MISE EN ROUTE

Avant l'utilisation, placez les piles dans l'émetteur et connectez l'ensemble en suivant les instructions ci-dessous.

★ Installation des piles dans l'émetteur

 Danger	N'utilisez que les piles spécifiées (4 x piles AAA)
 Danger	Ne pas ouvrir, démonter, ou tenter de réparer les piles ou les batteries.
 Danger	Ne pas écraser/poinçonner les piles ou batteries, ne pas mettre en court-circuit les contacts.
 Danger	Ne pas exposer à une chaleur excessive ou à des liquides.
 Danger	Ne pas laisser tomber les piles ou batteries, ne pas les exposer à des chocs ou vibrations intenses.
 Danger	Toujours ranger les batteries dans un endroit sec et tempéré.
 Danger	N'utilisez pas les piles ou batteries si elles sont endommagées.

Type de piles : AAA

Mise en place :

1. Ouvrez la trappe du logement des piles.
2. Placez 4 piles AAA chargées à fond dans le logement. Assurez-vous que les piles ont un bon contact avec les plots dans le logement des piles.
3. Remplacez la trappe du logement des piles.

Alarme de piles faibles : Si la tension des piles tombe sous 4,2 V, la LED sur le panneau clignotera lentement.

Instructions pour l'appairage

Après la préparation, suivez ces instructions pour utiliser le système.

1. Appairage automatique (l'émetteur et le récepteur ont été appairés avant que quitter l'usine).

Si vous avez besoin de remplacer soit l'émetteur, soit le récepteur, suivez les étapes ci-dessous pour refaire l'appairage :

1. Quand l'émetteur est allumé et que le mode de correspondance de code est actif, la LED clignote.
2. Le récepteur est mis sous tension et les LEDs à l'avant restent clignotantes pour entrer le code correspondant.
3. Quand l'appairage est réussi, toutes les LEDs sur l'émetteur sont allumées et toutes celles du véhicule sont éteintes.

Note : Pour l'appairage, merci de faire fonctionner l'émetteur en premier pour entrer en mode d'appairage, puis faites fonctionner le récepteur pour le faire entrer en mode de correspondance de code.

2. Mise hors tension

Suivez les étapes ci-dessous pour éteindre le système :

1. Débranchez l'alimentation du récepteur.
2. Basculez l'interrupteur de l'émetteur sur la position OFF.



Danger

Veillez à toujours débrancher l'alimentation du récepteur avant d'éteindre l'émetteur. Sans quoi, il y a un risque de dégâts ou de blessures graves.

Instructions

1. Caractéristiques de l'émetteur

Modèle du produit	FS-MG41
Nombre de voies	4
Type de modèles adaptés	Voitures, bateaux
Bande de fréquence	2.4GHz ISM
Puissance d'émission	<20dBm
Protocole sans fil	ANT
Portée	>150m(au sol)
Résolution des voies	1024
Piles	4 x piles AAA 1.5 V, soit 6V DC
Interface de charge	Non
Autonomie	Dépend du type de piles
Alarme de tension faible	<4.2V
Type d'antenne	Antenne unique intégrée
Interface de données	Non
Plage de température	-10°C— +60°C
Plage d'humidité	20—95%
Mise à jour en ligne	Non
Couleur	Noire
Dimensions	118mm x 73mm x 145mm
Poids	130g
Certification	CE,FCC ID:N4ZMG400

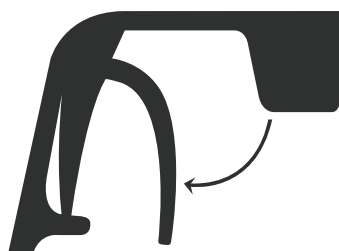
POSITIONS DE LA GÂCHETTE DES GAZ

Positions de la gâchette des gaz

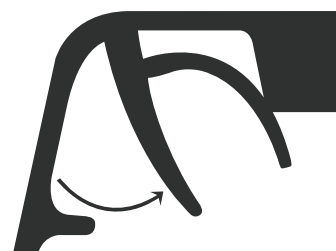
Position neutre



A fond en marche avant



A fond en marche arrière

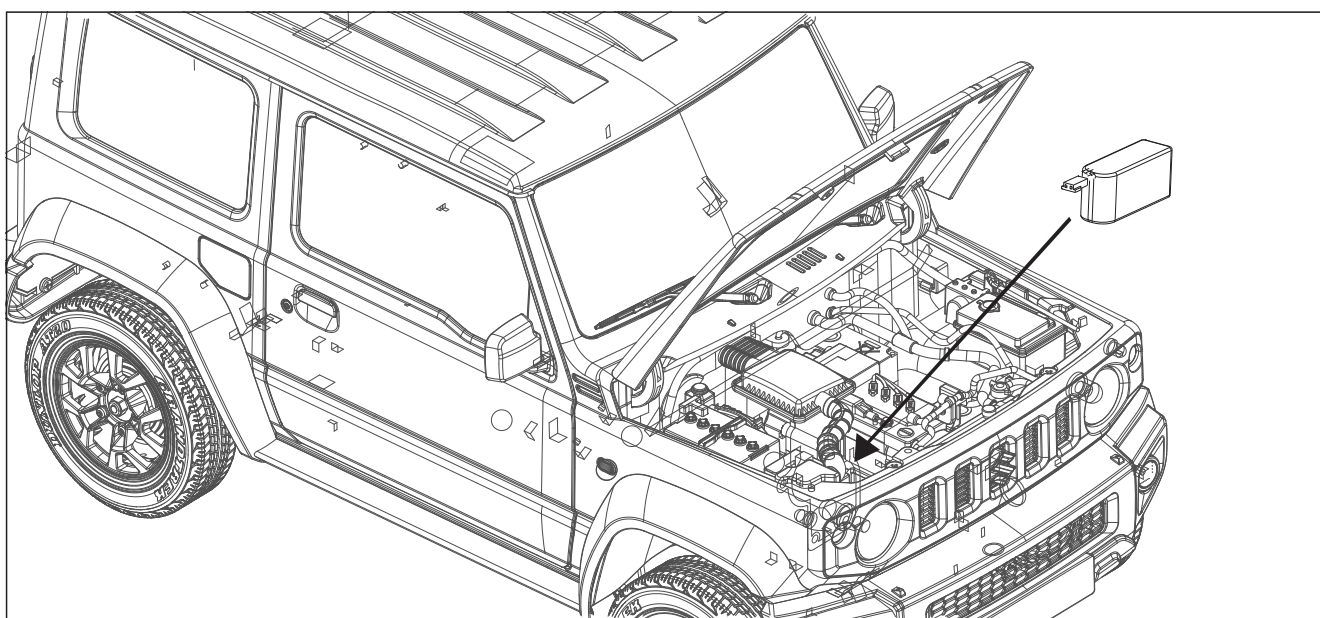


CONFIGURATION DU VÉHICULE

Connexion de la batterie

ETAPE 1 : Ouvrez le capot.

ETAPE 2 : Placez la batterie dans son logement et branchez le connecteur de la batterie.

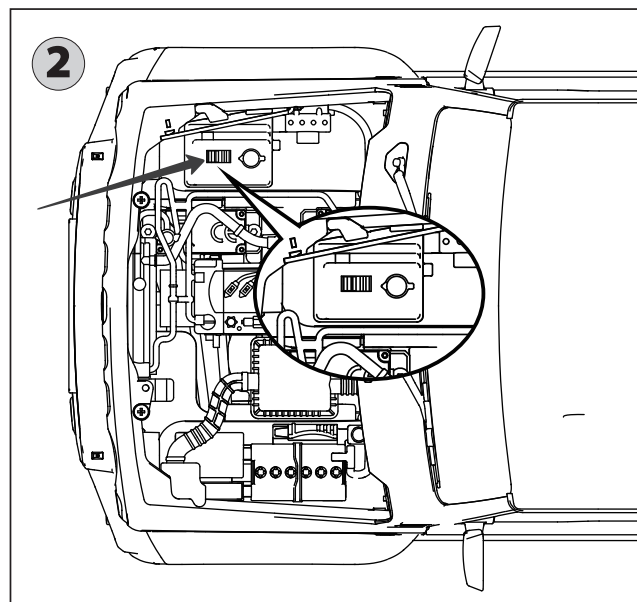
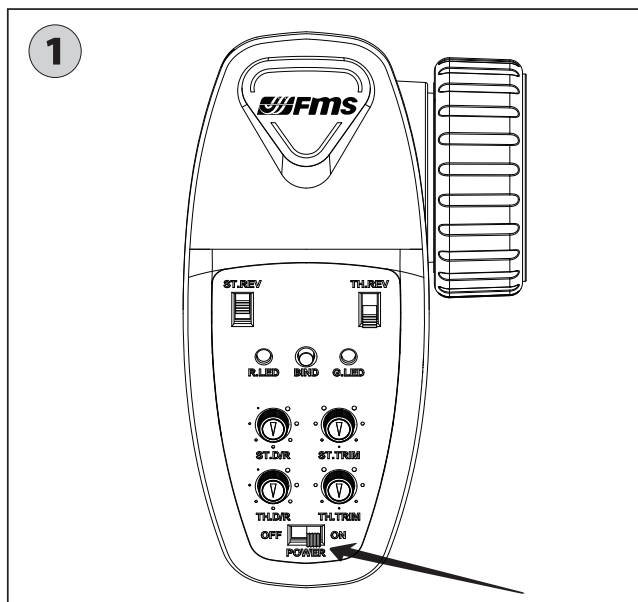


UTILISATION DU VÉHICULE

ETAPE 1 : Allumez l'émetteur. La LED avant de l'émetteur clignote et entre en mode d'appairage automatique.

ETAPE 2 : Allumez l'interrupteur du récepteur, les phares vont clignoter et entrer en mode d'appairage.

ETAPE 3 : Quand l'émetteur et le récepteur sont appairés, les LEDs à l'avant de l'émetteur restent allumées et les phares de la voiture s'éteignent.



目录

安全保障措施	42
无线电系统	42
油门扳机位置	50
车辆设置	51
车辆操作	51
车壳	52
车底	53
座舱	54
前桥组件	55
驱动牙箱组	56
后桥组件	57
避震组件	58
分动牙箱组	58
转向舵机组	59
配件表明细一	66
配件表明细二	67

安全保障措施

指引

本手册可以有效帮助您正确操作、维护和修理本品。由于本品所涉多数部件为特有部件，请保留本手册作为未来参考之用。

这款产品由精密制造的组件组成，非玩具级别，不适合14岁以下的儿童操作使用。

未成年人应在有经验的成年人陪同下操作使用。不当操作或维护会造成车辆损坏，甚至可能导致人身及财产损失。

本品操作者需以安全的方式操作本品。FMS及其分销商不以任何方式对不当使用本产品所可能造成的任何人身伤害或财产损失负责。

安全、预防措施及警告

- 请使用原厂部件更换损坏的部件。特别注意所有车辆接线的正负极。
- 务必选择合适的环境操作遥控模型，所选环境需远离电缆、无线电塔、深水及不稳定地形。本品操作者对其行为全权负责。
- 本品由精密电子部件构成。请勿将本品暴露于潮湿的环境或者其他污染物中，以免造成损坏。
- 确保每次操作前检查车辆的无线接收范围，以防止无线信号丢失或受干扰。
- 在您的能力范围内操作此产品。在任何时候，如果车辆操作有危险，则绝对不值得冒险。
- 通电方式:务必先开遥控器再将车子通电。断电方式:务必先将车子断电再关遥控器。以上顺序如逆转，则可能引起遥控模型失控，导致人身伤害或财产损失。
- 遥控器电池低电时，不要操作模型车，以免造成失控。
- 模型产品上的塑胶件容易因极冷或极热气候出现变形或损坏的状况。所以请将模型产品存放于常温环境中。

使用前请仔细阅读本手册。我们不对任何故意损坏或不当使用负责。这个产品不是玩具！建议 14 岁及以上者使用。14 岁以下的用户，需要在成年人监督下使用。本产品部分包含小零件，请务必保证 3 岁及以下儿童不能接触本产品。



MADE IN CHINA

无线电系统

安全符号

仔细阅读以下符号及其相关说明，如不按照以下指引进行操作，可能会导致设备损坏或人员伤亡。

	注意	如果使用者不按照说明方法操作，有可能导致操作者或他人受到轻微伤害。
	警告	如果不按照说明方法操作，可能导致操作者或他人遭受较大伤害。
	危险	如果不按照说明方法操作，可能导致操作者或他人严重受伤，甚至遭受生命危险。

安全信息



禁止



强制



- 请不要在夜晚或雷雨天气使用本产品,恶劣的天气环境有可能导致遥控设备失灵。
- 请不要在能见度有限的情况下使用本产品。
- 请不要在雨雪或有水的地方使用本产品。如果有液体进入到系统内部,可能会导致运行不稳定或失灵。
- 信号干扰可能导致设备失控。为保证您和他人的安全,请不要在以下地点使用本产品:
 - 1、通信基站附近或其他无线电活跃的地方
 - 2、人多的地方或道路附近
 - 3、水域附近
 - 4、高压电线或通信广播天线附近
- 当您感到疲倦、不舒服,或在摄入酒精或服食导致麻醉或兴奋的药物后,不要操作本产品。否则可能对自己或他人造成严重的伤害。
- 2.4GHz无线电波段完全不同于之前所使用的低频无线电波段。使用时请确保模型产品在您的视线范围内,大的障碍物将会阻断无线电频率信号从而导致遥控失灵模型失控。
- 在操作或使用模型后,请勿触摸任何可能发热的部位,如电池、电机等。这些部件可能非常热,容易造成严重的烧伤。



- 遥控设备使用不恰当可能导致操作者或他人严重受伤,甚至死亡。为保证您和设备的安全,请仔细阅读使用说明书并按照要求进行操作。
- 使用前必须确保本产品与模型安装正确,否则可能导致模型发生严重损坏。
- 关闭时,请务必先关闭接收机电源,然后关闭发射机。如果关闭发射机电源时接收机仍然在工作,将有可能导致遥控设备失控或者引擎继续工作而引发事故。
- 操控时,请先确认模型所有舵机的动作方向与操控方向一致。如果不一致,请调整好正确的方向。
- 当遥控距离较远时,有发生失控的可能,请适当缩短遥控距离。

产品介绍

1:12 吉姆尼 Jimny

世界上第一台同时具备外观仿真、精细内饰、底盘结构也完全还原实车的仿真遥控模型。

外观：

- 获得铃木公司官方授权,细节一丝不苟的高度仿真
- 产品以涂装完成品的形态发售
- 完全还原的轮毂和轮胎
- 全尺寸备胎可以取下使用
- 大灯可以点亮,有远近光切换功能
- 前、中、后转向灯有转向联动和双闪切换功能
- 前后雾灯可遥控点亮
- 尾灯、高位刹车灯均可点亮并有刹车联动功能
- 倒车灯在倒车时自动点亮

内饰：

- 引擎盖可以打开,且有仿真的发动机造型和管线排布
- 两侧车门可以打开,开启角度亦和实车相仿
- 方向盘由独立舵机驱动与前轮联动转向
- 前排座椅可前后调节,方便容纳 1/12 可动人偶
- 后排座椅可以安全放平,呈现和实车一样的强大的收纳
- 后排杂物箱可以打开,以容纳各类工具配件
- 后备箱可以打开

底盘：

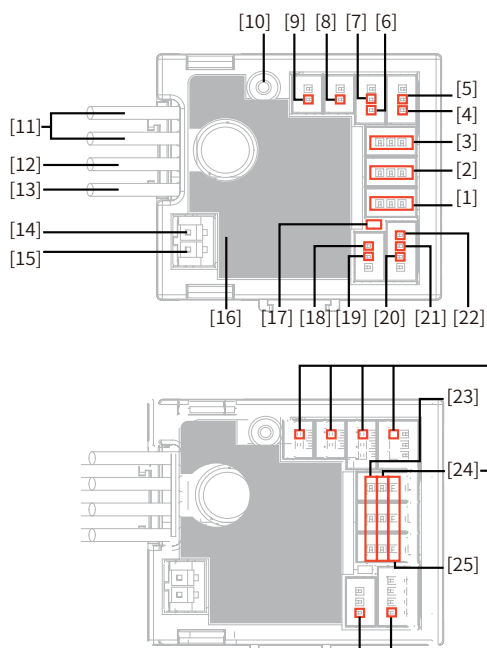
- 扫描实车,完美呈现 JIMNY 非承载式底盘,前后标配金属止推杆螺旋弹簧的结构特点
- 180 电机包裹在仿真的发动机外壳内
- 两档机械变速箱包裹在仿真的变速箱内
- 电池、舵机、接收机、电调、灯控全部整合在引擎盖下
- 全车金属齿轮
- 金属万向节传动轴
- 滚珠轴承

遥控器说明

产品介绍

FS-R4A1 采用 ANT 协议,是一款电调、LED 灯组控制板三合一接收机,外置单天线,可输出 PWM 信号和车灯控制信号,能够实现双向传输,采用自动对码,设计小巧紧凑,可适配多种车型使用。

接收机概览



- | | |
|--------------|----------------|
| [1] CH1 通道接口 | [14] 马达接口 "M+" |
| [2] CH3 通道接口 | [15] 马达接口 "M-" |
| [3] CH4 通道接口 | [16] 贴纸 |
| [4] 左转灯接口 | [17] LED 指示灯 |
| [5] 前灯接口 | [18] 左转灯接口 |
| [6] 右转灯接口 | [19] 右转灯接口 |
| [7] 前灯接口 | [20] 倒车灯接口 |
| [8] 雾灯接口 | [21] 刹车灯接口 |
| [9] 雾灯接口 | [22] 尾灯接口 |
| [10] 天线 | [23] 通道信号端 |
| [11] 电源开关 | [24] 电源正极 |
| [12] 电池线正极 | [25] 电源负极 |
| [13] 电池线负极 | |

产品规格

- 产品型号：FS-R4A1
- 适配遥控器：FS-MG41
- 适合机种：车
- 通道个数：4
- 车灯接口数：7
- 无线频率：2.4GHz ISM
- 无线协议：ANT(自动调频数字系统)
- 天线类型：单天线
- 输入电源：Lipo(2S)/NiMH(5~7Cell)
- BEC 输出：6V/1A
- 持续 / 峰值电流：10A/50A
- 数据输出：PWM
- 温度范围：-10°C—+60°C
- 湿度范围：20%~95%
- 防水等级：PPX4
- 在线更新：无
- 外形尺寸：33mm*30mm*12mm(不含电容)
- 机身重量：11g 左右
- 认证：CE,FCC ID: N4ZR4A10

对码

本款接收机上电即自动进入对码状态。

按住遥控器的对码键并开机,即进入对码状态,此时 G.LED 快闪,松开“BIND”键。

1. 接收机上电等待 1 秒没有连接将自动进入对码;
2. 对码成功后,接收机 LED 指示灯常亮;

注：(1)对码时请先将遥控器进入对码状态,再将接收机进入对码状态,若 10s 内对码没有完成,接收机指示灯进入慢闪状态;

(2)如果重新对码成功,车灯的所有设置将恢复默认值。

电调保护功能

本款接收机具有上电自检显示、过热报警提示、电压过低 / 高报警提示等多种提示功能。

- 自检显示：接收机上电瞬间所有车灯长亮 1S。
- 过热报警：检测到电调内部温度超过 110°C 时，马达无输出，所有车灯快闪提示；当温度低于 70°C 时恢复正常输出。
- 电压过低 / 高报警：接收机进入电压过低保护时，马达无输出，所有车灯慢闪提示；接收机进入电压过高保护时，所有通道无输出，所有车灯快闪提示。

车灯控制

车灯控制主要是通过发射机的设置实现车灯亮灯状态及亮灯模式的转换。

此款接收机对模型车车灯的控制预设了五种模式，各模式下模型车的倒车灯亮灭状态一致，即当模型车倒车时，倒车灯为高亮状态，反之为常灭状态。而转向灯、前灯、刹车灯、尾灯和雾灯的亮灭状态各异，具体如下所述：

- **默认模式：**此模式下，无论模型车是否转弯，转向灯状态为常灭状态；当刹车时，刹车灯为高亮状态，反之为常灭状态；前灯、尾灯和雾灯为常灭状态。
- **模式 A：**此模式下，当模型车转弯时，转向灯为慢闪状态；当刹车时，刹车灯为高亮状态，非刹车时为低亮状态；前灯为低亮状态；尾灯和雾灯为常灭状态。
- **模式 B：**此模式下，当模型车转弯时，转向灯为慢闪状态；当刹车时，刹车灯为高亮状态，非刹车时为低亮状态；前灯为高亮状态；尾灯和雾灯为常灭状态。
- **模式 C：**此模式下，无论模型车是否转弯，转向灯为持续慢闪状态；当刹车时，刹车灯为高亮状态，非刹车时为低亮状态；前灯为高亮状态；尾灯和雾灯为常亮状态。
- **模式 D：**此模式下，当模型车转弯时，转向灯为慢闪状态；刹车时，刹车灯为高亮状态，非刹车时为常灭状态；前灯为常灭状态；尾灯和雾灯为常亮状态。

注：(1) 按遥控器上的 CH4 按键切换工作模式，每按一次，切换一个模式(默认模式、模式 A、模式 B、模式 C 和模式 D 依次切换)；

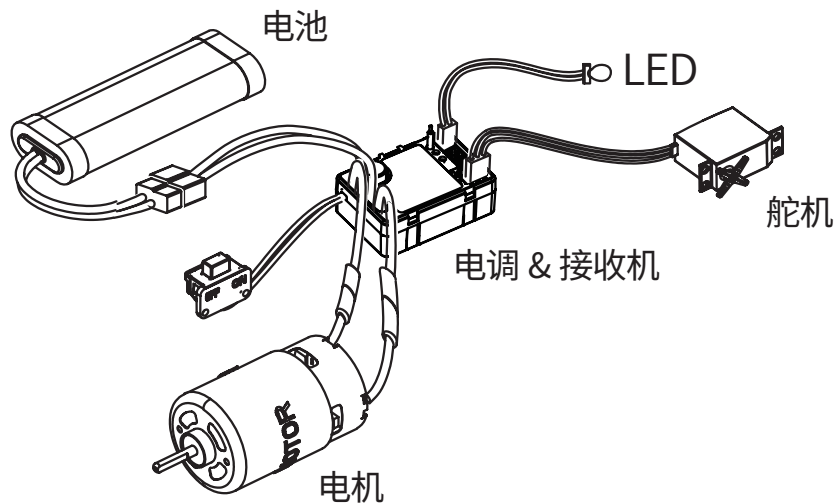
(2) 每次开机时，车灯控制模式为默认模式；

(3) 模式 C 为应急灯工作状态，左右转向灯同时同步慢闪做应急灯。

电调功能使用说明

1. 连接相关设备：

连接前请确认电调开关处于关闭 (OFF) 状态，将电机与电调的 M+/M- 相连接，舵机接到电调 3Pin 排针接口上 ("-" "+" "S" 相对应)，电池与电调输入正负极对应相接。



2. 正常开机,识别油门中点:

上面第一步相关设备连接好后,先打开遥控器,并将遥控器油门扳机置于中点位置(自然状态)。最后一步打开电调开关,接收机重新上电自动识别电池类型后方可运行。

注意:

- a. 电调开机后必须等到自检完成后方可运行(大约 3 秒),否则可能无法正常动作;
- b. 若开机后无动力输出,请查看遥控器油门微调是否置于“0”位置,接收机重启可自动识别微调油门中点;
- c. 若运行时发现电机转向不对,将电调接电机的两根线互换位置即可;
- d. 为了一切正常,请养成先打开遥控器最后打开电调开关以及先关闭电调开关最后关闭遥控器的习惯。

注: 关于电调的电池类型、拖刹力度和运行模式的设置详见相关配套遥控器说明书相关章节。

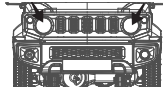
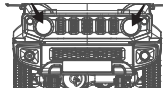
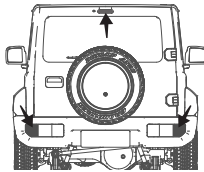
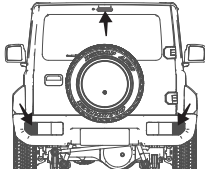
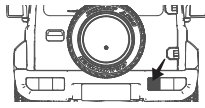
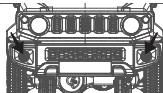
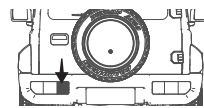
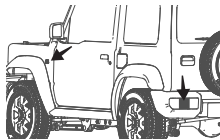
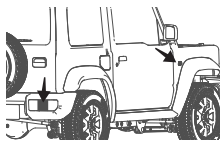
失控保护

此功能用于当接收机无法正常收到遥控器的信号不受控制时,保护模型和操作人员的安全。该接收机默认为油门通道固定为失控进入刹车状态,其他通道失控后接收机无信号输出,如若在遥控器上进行设置,则按照设置值输出。

注意事项:

- 使用前必须确保本产品与模型安装正确,否则可能导致模型发生严重损坏。
- 请查看各动力设备以及车架说明书,确保动力搭配合理,避免因错误的搭配导致动力系统损坏。
- 勿使系统的外部温度超过 90°C /194 °F,高温将会毁坏动力系统。
- 关闭时,请务必先关闭接收机电源,然后关闭遥控器。如果关闭遥控器电源时接收机仍然在工作,将有可能导致遥控设备失控或者引擎继续工作而引发事故。
- 使用完毕后,若长时间不玩车,切记断开电池与电调的连接。如电池未断开,即使电调开关处于关闭状态,电调也会一直消耗电能(只是非常小),长时间连接电池最终会被过放,进而导致电池或电调出现故障。我们不对因此而造成的任何损害负责!
- 确保接收机安装在远离电机或电子噪声过多的区域。
- 接收机天线需远离导电材料,例如金属棒和碳物质。为了避免影响正常工作,请确保接收机天线和导电材料之间至少有 1 厘米以上的距离。
- 准备过程中,请勿连接接收机电源,避免造成不必要的损失。








灯光功能

按钮	车灯位置	功能	开机默认 关闭	按次数					控制方式	备注	
				I	II	III	IV	V			
CH4	车头部灯	前白灯 常亮		关闭	•	关闭	关闭	关闭			
		前白灯 高光常亮		关闭	关闭	•	•	关闭			
	车尾部灯	尾灯常亮		关闭	•	•	•	关闭			
		刹车时 红灯高光亮		○	○	○	○	○	油门联动控制	刹车操作时刹车灯高亮	
		倒车白灯		○	○	○	○	○	油门联动控制	倒车操作时倒车灯亮	
	雾灯	前黄灯 常亮		关闭	关闭	关闭	•	•			
		尾红灯 常亮		关闭	关闭	关闭	•	•			
	转向灯	左转黄灯		关闭	○	○	○	○	方向联动控制	左转向时左边3个转向灯 自动闪烁, 闪烁的频率是1秒, 既亮0.5秒,灭0.5秒。	
		右转黄灯		关闭	○	○	○	○	方向联动控制	右转向时右边3个转向灯 自动闪烁, 闪烁的频率是1秒, 既亮0.5秒,灭0.5秒。	
		左右转双闪		关闭	关闭	关闭	•	关闭		左右共6个转向灯自动闪 烁,不受方向控制, 闪烁的频率是1秒, 既亮0.5秒,灭0.5秒。	

使用前准备

开始操作前,请按照本章的顺序和指引安装电池、连接设备。

★ 发射机电池安装

 危险	仅使用厂家指定的电池。
 危险	请勿打开、拆卸或自行维修电池。
 危险	请勿挤压、刺穿或接触电池的金属端子。
 危险	请勿将电池置于高温环境或液体中。
 危险	如果不按照说明方法操作,可能导致操作者或他人遭受较大伤害。
 危险	请将电池存放在干燥阴凉的环境中。
 危险	如果电池损坏,请立即停止使用。

电池类型使用: AAA电池

请按照以下步骤安装发射机电池:

1. 打开电池仓盖。
2. 将 4 颗电量充足的 AAA 电池装入电池仓内,确保电池上的金属端子与电池仓内的金属端子接触。
3. 盖好电池仓盖。

低电量报警:当电量低于4.2V时,面板上的LED慢闪报警提示。

操作指引

准备操作完成后,您可以按照本章指引开始使用本产品。

1、自动对码 (发射机和接收机在出厂前已对码成功。)

如需更换其他的发射机或接收机,请按照如下步骤进行对码:

1. 发射器电源打开,对码模式,灯不停闪亮;
2. 接收板电源打开,前车灯不停闪亮,进入对码模式;
3. 当对码成功,发射机灯全亮,车上面的灯全部关闭;

注意:对码时请先操作发射机进入对码状态,再操作接收机进入对码状态。

2、关机

请按照以下步骤关机:

1. 断开接收机电源;
2. 将开关拨到 [OFF] 位置,使发射机关闭。

危险

关闭时,请务必先关闭接收机电源,再关闭发射机,否则可能导致模型损坏、人员受伤。

产品规格

1、发射机规格

产品型号	FS-MG41
通道个数	4
适配模型	车、船
支持电池节数	4 节 AAA 电池
无线频率	2.4GHzISM
发射功率	<20dBm
无线协议	ANT
遥控距离	>150m(空旷无干扰地面距离)
通道分辨率	1024 级
电池	6V DC 1.5AAA*4
充电接口	无
续航时间	依电池类型
低电压报警	<4.2V
天线类型	内置单天线
数据接口	无
温度范围	-10°C— +60°C
湿度范围	20—95%
在线更新	无
遥控器颜色	黑
外形尺寸	118mm x 73mm x 145mm
机身重量	130g
认证	CE,FCC ID:N4ZMG400

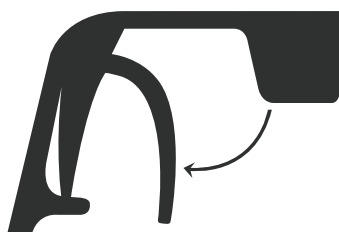
油门扳机位置

油门扳机位置

中位



前进方向的顶端



后退方向的顶端

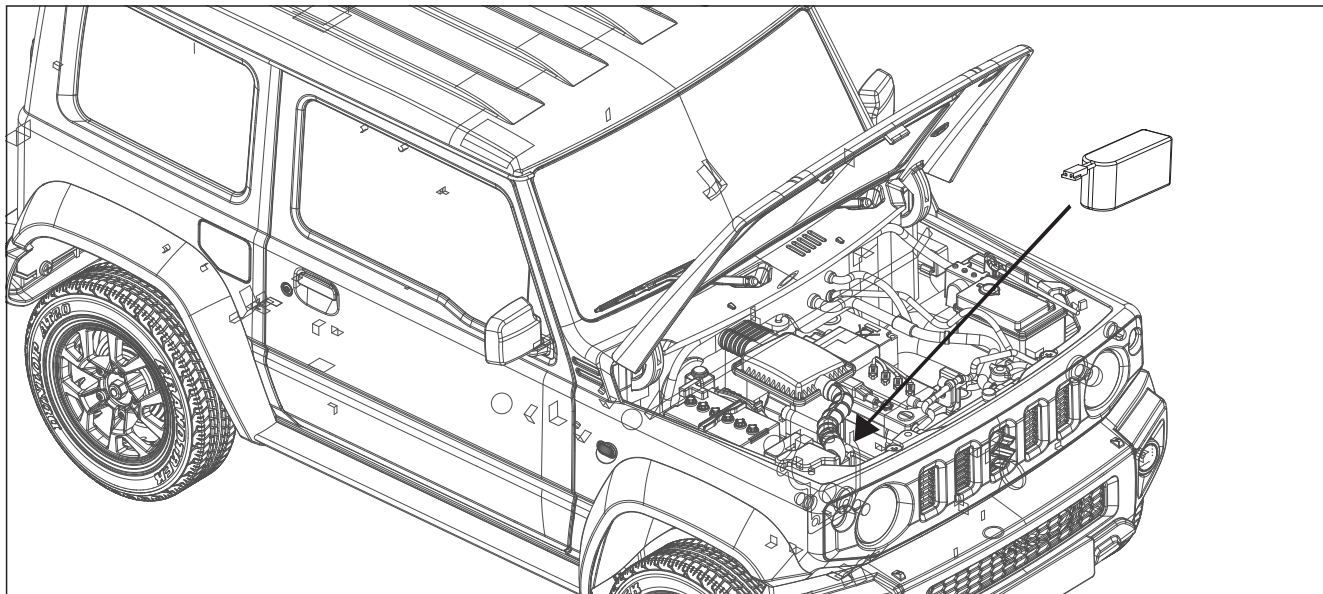


车辆设置

连接电池

步骤 1: 将引擎盖打开。

步骤 2: 将电池放置在电池盒中,然后连接电池插头。

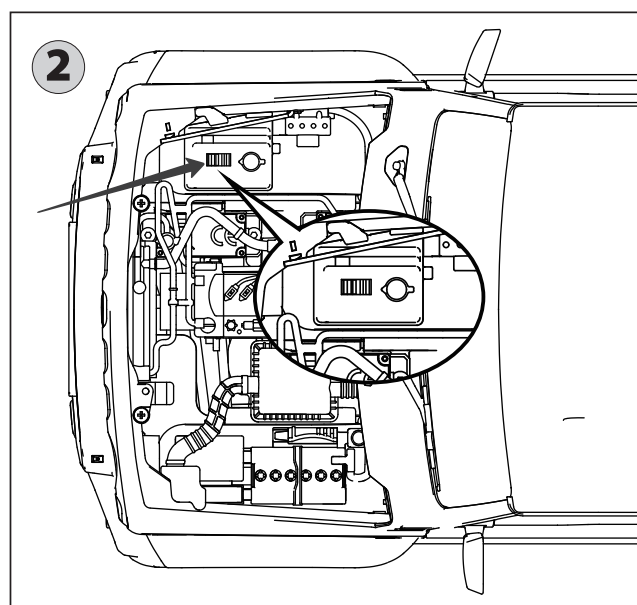
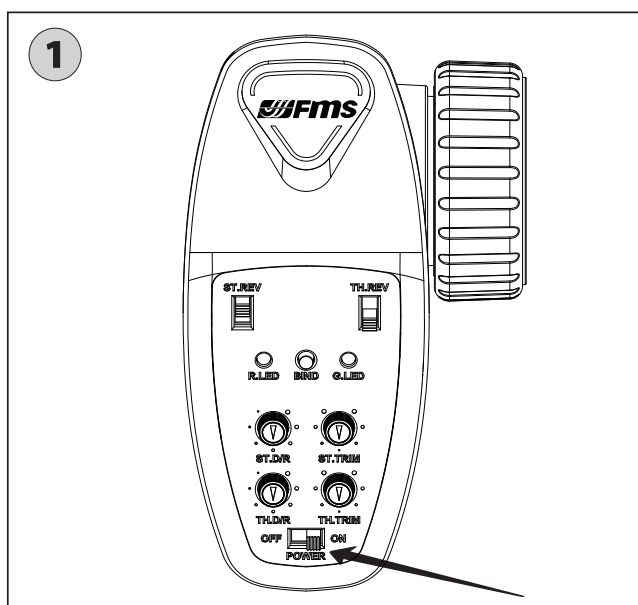


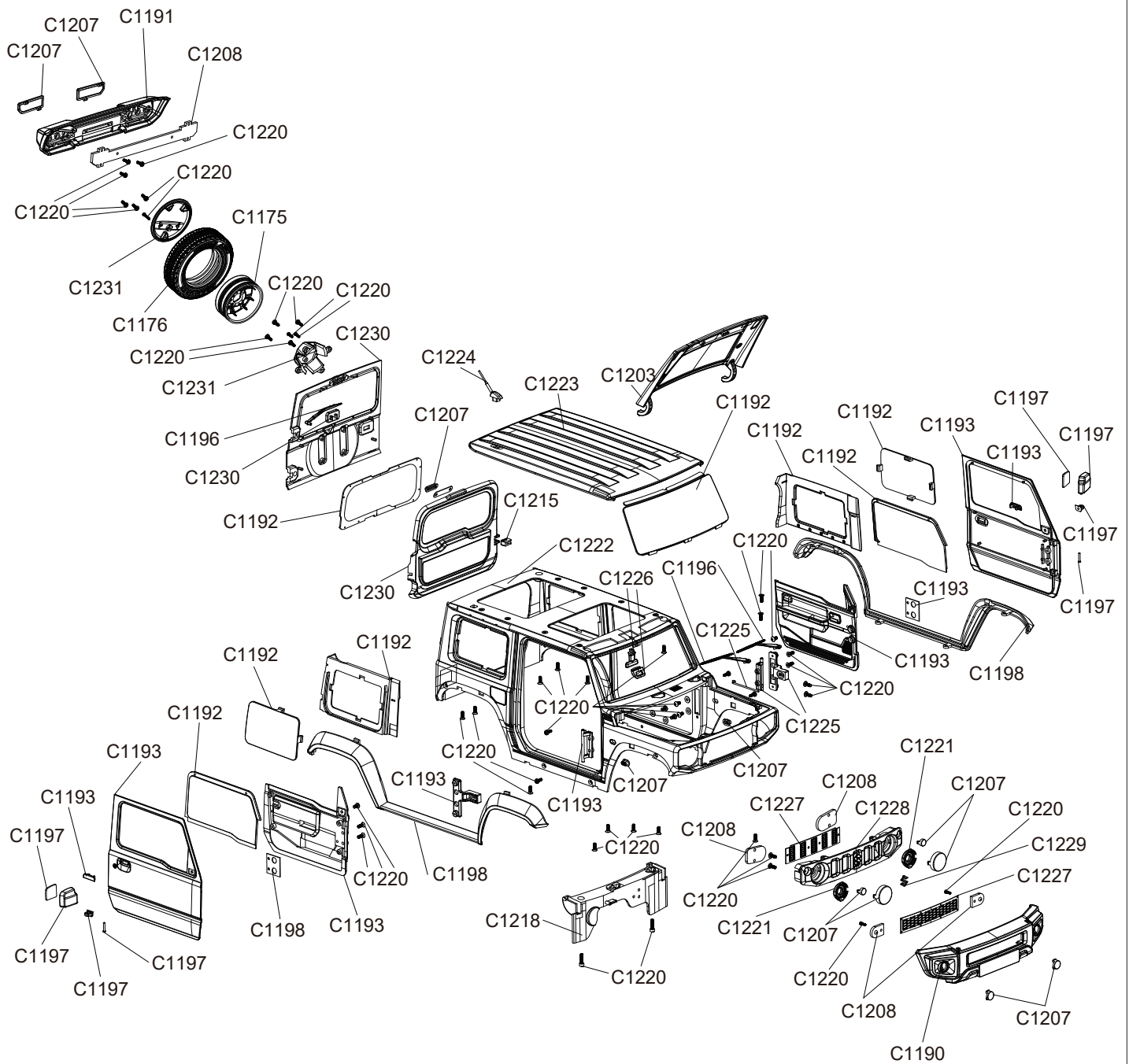
车辆操作

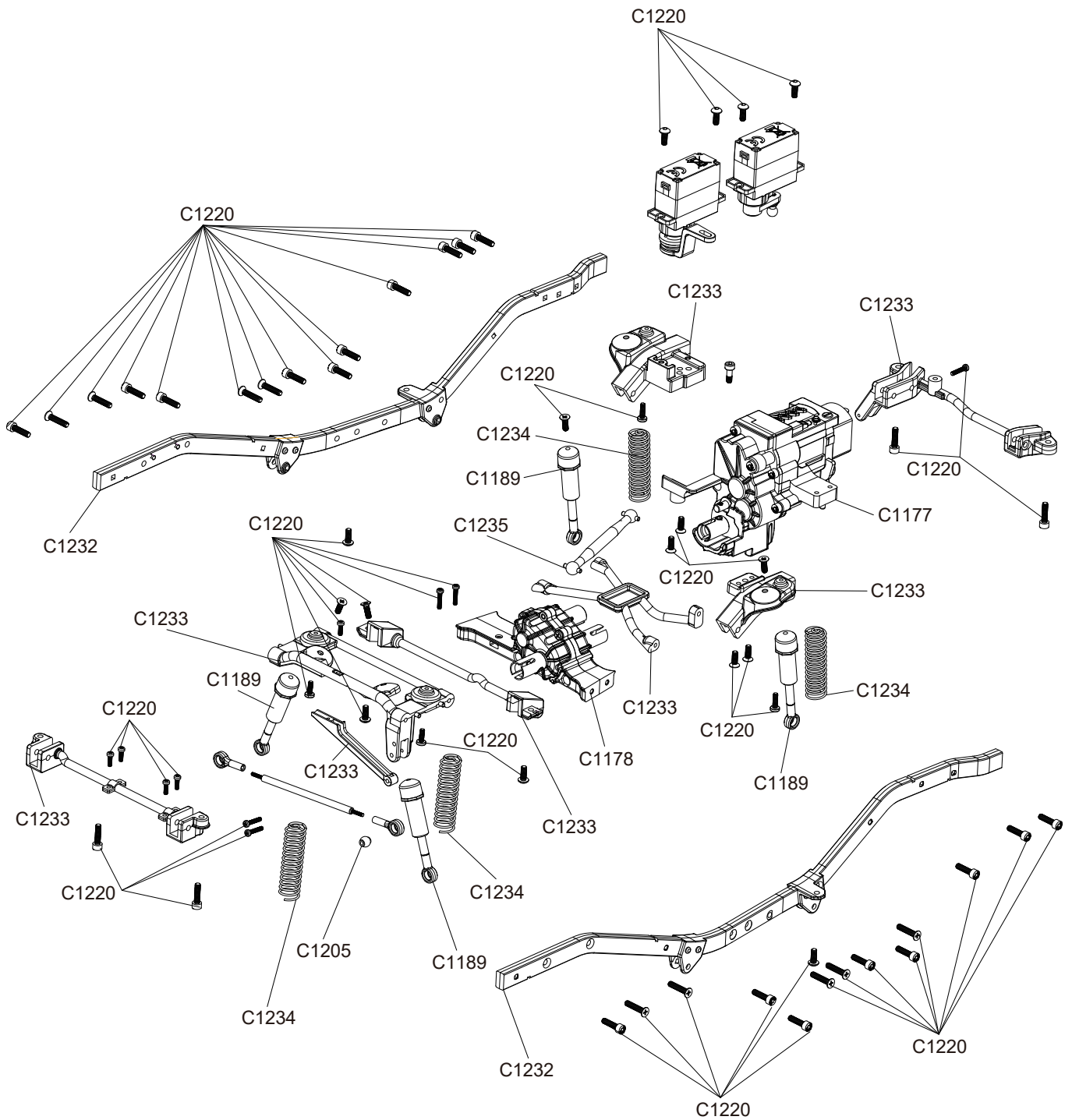
步骤 1: 打开发射器,发射器前灯会闪亮,进入对频模式。

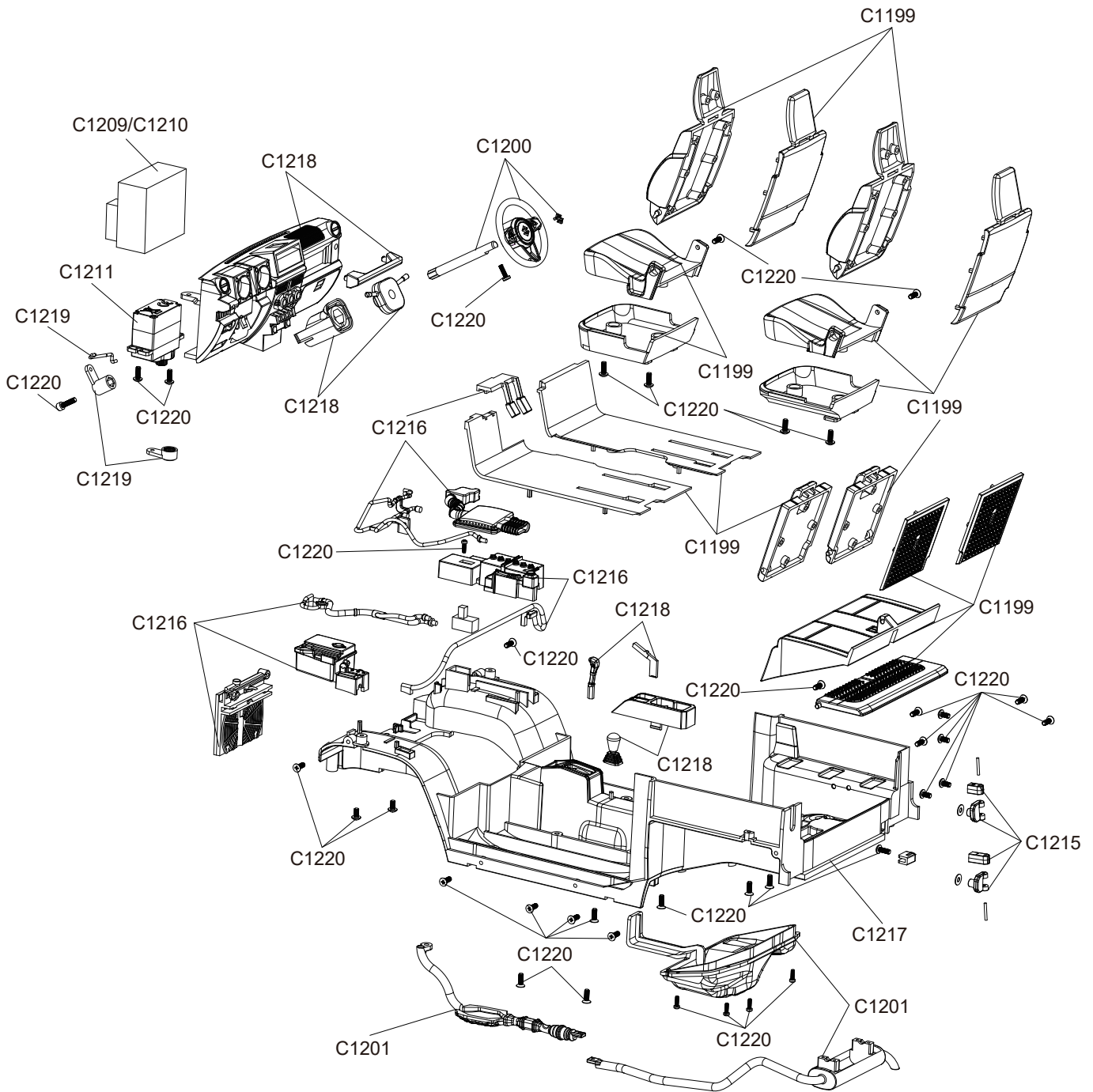
步骤 2: 打开接收器开关,车前灯会闪亮,进入对频模式。

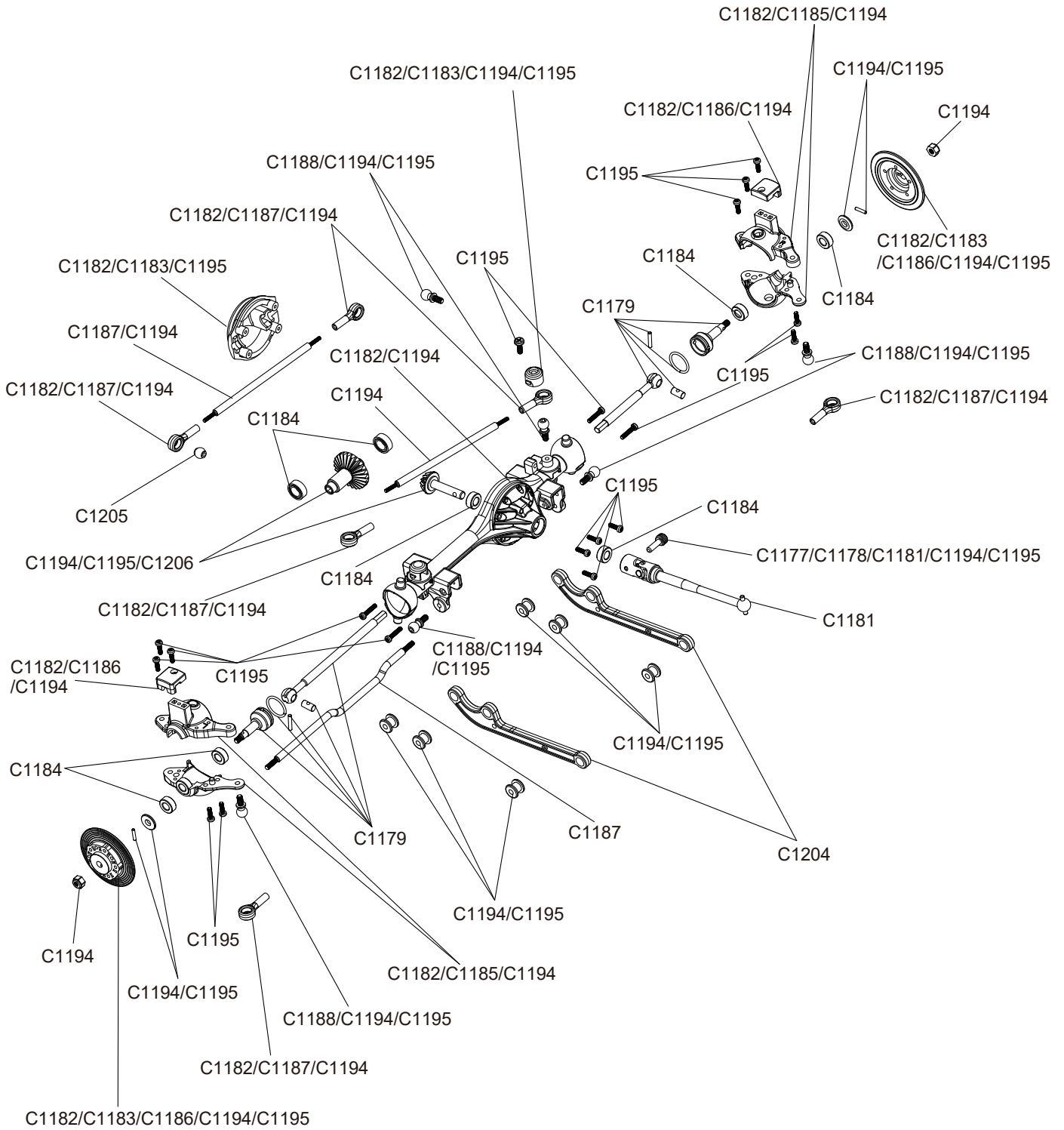
步骤 3: 当发射器,接收器对上频成功时,发射器前灯会长亮,车前灯会关闭。

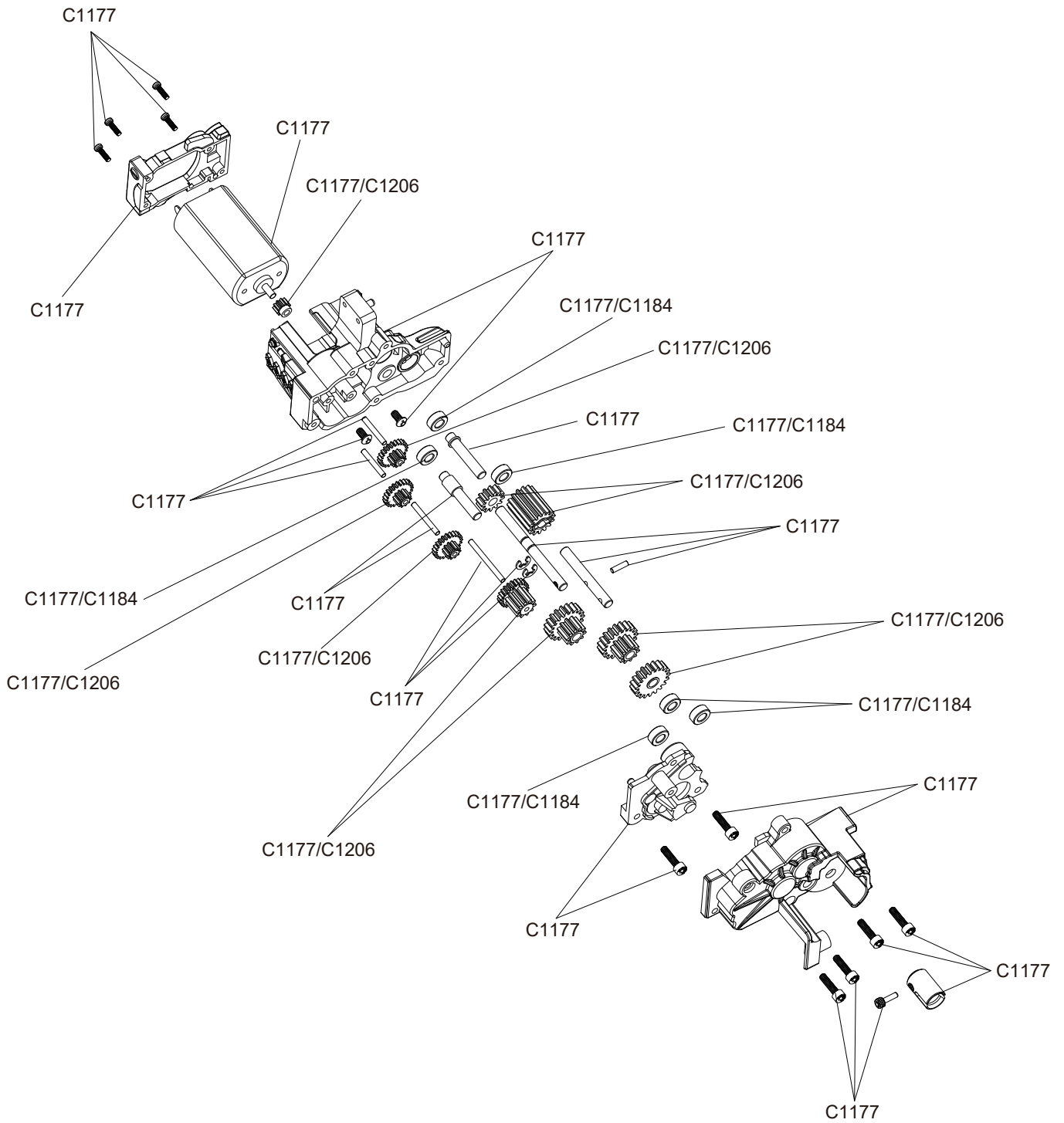


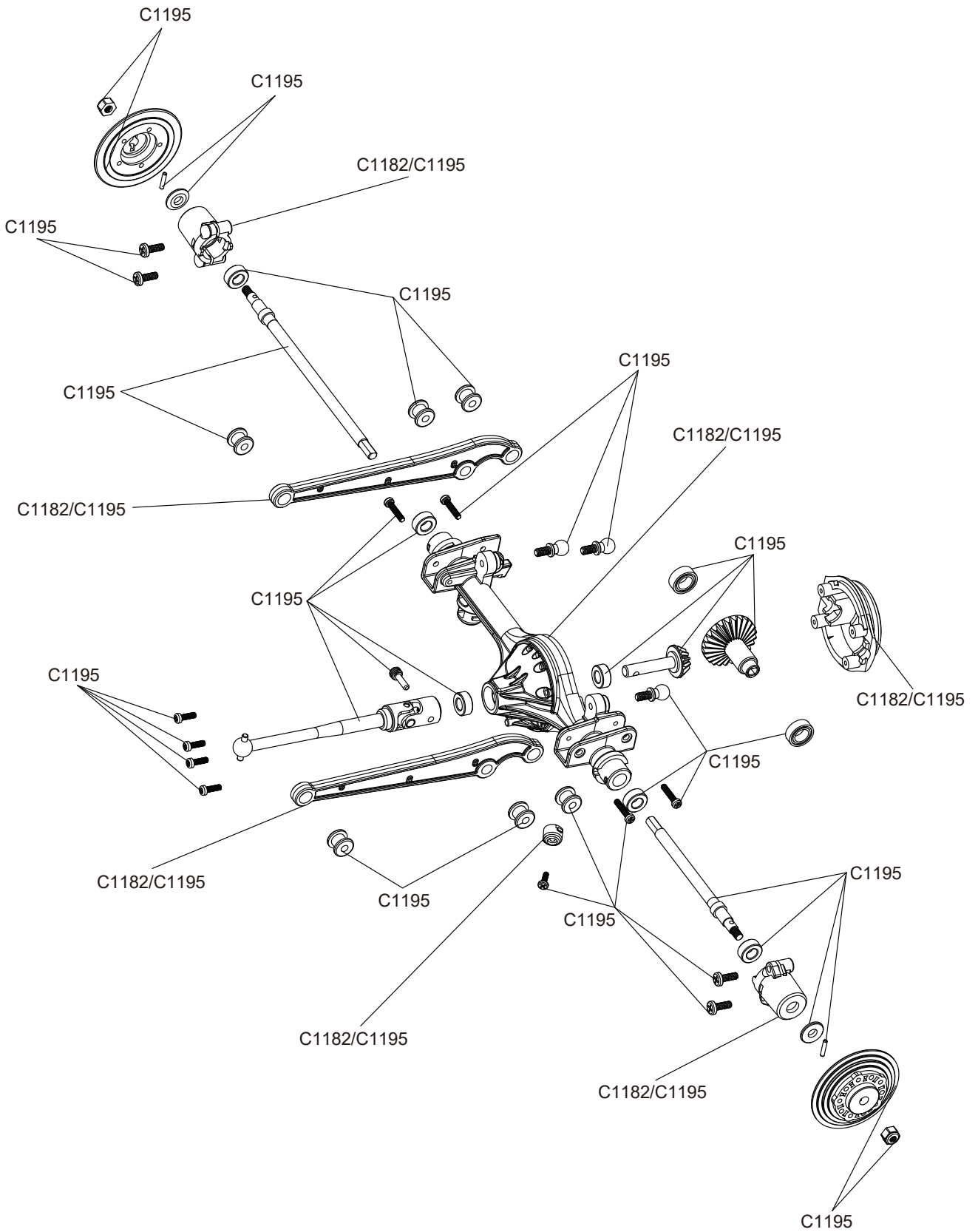






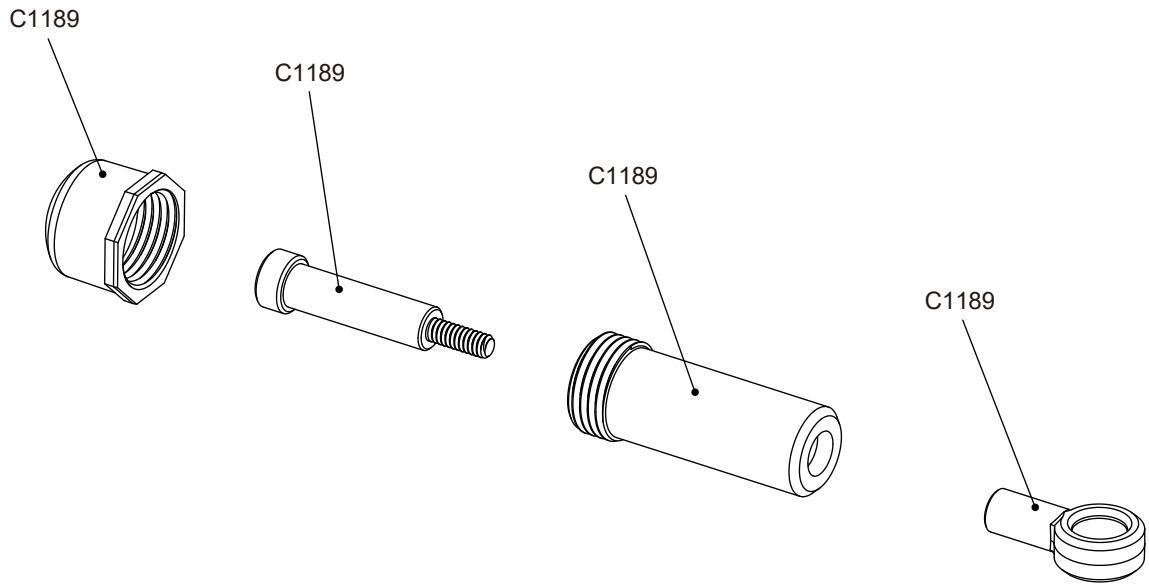






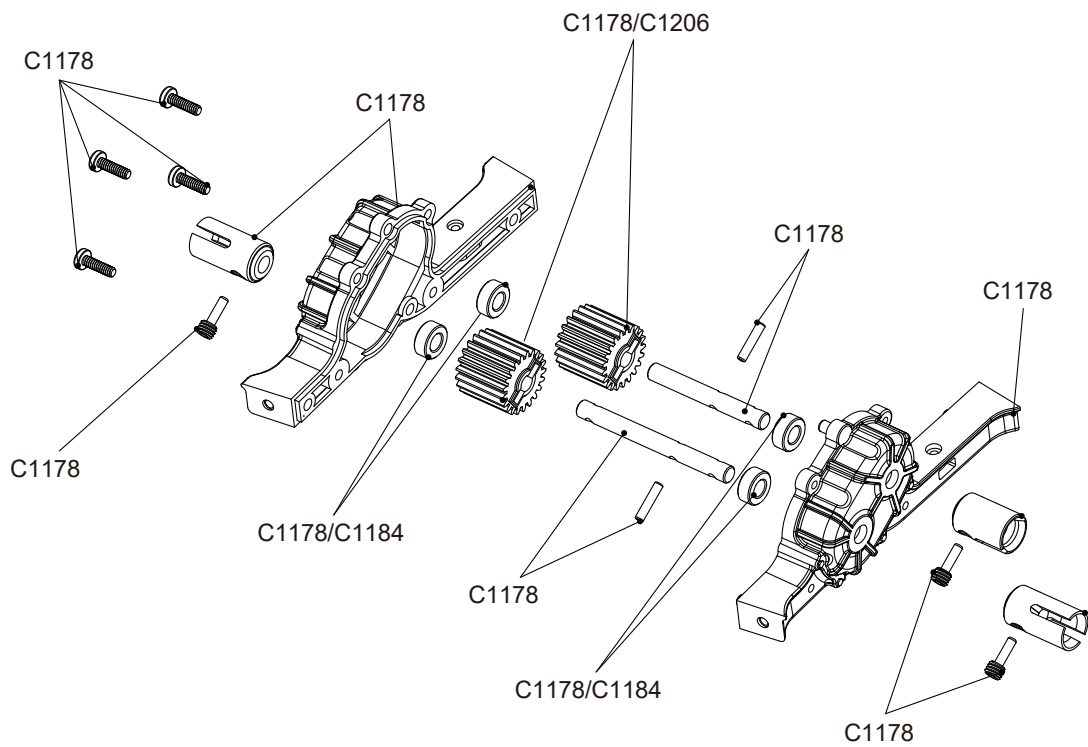
(EN) SPRING SHOCK ASSEMBLY
(FR) ENSEMBLE AMORTISSEUR

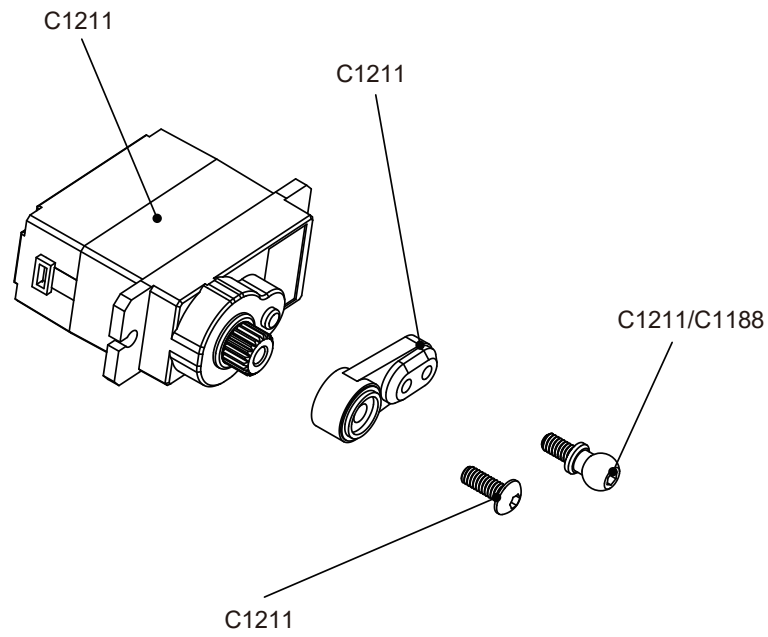
(DE) AUFBAU DER STOSSDÄMPFER
(CN) 避震组件



(EN) TRANSMISSION GEAR BOX ASSEMBLY
(FR) ENSEMBLE BOITIER DE TRANSMISSION

(DE) AUFBAU DES ÜBERSETZUNG-GETRIEBES
(CN) 分动牙箱组





"S" for spare part

"O" for optional part

PART NUMBER	PRODUCT DESCRIPTION	S/O
C1169	HT-TX01 2.4G TRANSMITTER	S
C1175	1:12 JIMNY WHEELS	S
C1176	1:12 JIMNY TYRES1:12 JIMNY TYRES	S
C1177	1:12 JIMNY MAIN GEAR BOX ASSEMBLY	S
C1178	1:12 JIMNY TRANSMISSION GEAR BOX ASSEMBLY	S
C1179	1:12 JIMNY FRONT WHEEL DRIVE CUP SET	S
C1180	1:12 JIMNY REAR WHEEL DRIVE SHAFT SET	S
C1181	1:12 JIMNY TRANSMISSION SHAFT ASSEMBLY	S
C1182	1:12 JIMNY FRONT AXLE PLASTIC PARTS	S
C1183	1:12 JIMNY REAR AXLE PLASTIC PARTS	S
C1184	1:12 BEARING SET	S
C1185	1:12 JIMNY STEERING HUB SET	S
C1186	1:12 JIMNY BRAKE DISC	S
C1187	1:12 JIMNY STEERING LINKAGE SET	S
C1188	1:12 4.0 BALL BULB	S
C1189	1:12 JIMNY SPRING SHOCK ASSEMBLY	S
C1190	1:12 JIMNY BUMPER	S
C1191	1:12 JIMNY REAR BUMPER	S
C1192	1:12 JIMNY WINDOW SET	S
C1193	1:12 JIMNY SIDE DOOR	S
C1194	1:12 JIMNY FRONT AXLE ASSEMBLY	S
C1195	1:12 JIMNY REAR AXLE ASSEMBLY	S
C1196	1:12 JIMNY WIPER	S
C1197	1:12 JIMNY REARVIEW MIRROR	S
C1198	1:12 JIMNY SPLASH SHIELD	S
C1199	1:12 JIMNY SEATS SET	S
C1200	1:12 JIMNY STEERING WHEEL SET	S
C1201	1:12 JIMNY EXHAUST PIPE	S
C1203	1:12 JIMNY HOOD	S
C1204	1:12 JIMNY LINKAGE	S
C1205	1:12 JIMNY 4MM BULB	S
C1206	1:12 JIMNY GEAR SET	S
C1207	1:12 JIMNY LENS	S
C1208	1:12 JIMNY LED PCB SETS	S
C1209	HT-TX01 2.4G TRANSMITTER + 11221 RECEIVER SET	S
C1210	1:12 11221 RECEIVER	S
C1211	1:12 JIMNY STEERING SERVO	S
C1212	1:12 JIMNY STEERING WHEEL SERVO	S
C1213	1:12 JIMNY VARIABLE SPEED SERVO	S
C1214	1:12 JIMNY LED CONNECT WIRE	S
C1215	1:12 JIMNY REAR DOOR HINGE	S
C1216	1:12 JIMNY ENGINE COMPARTMENT DECO PARTS	S
C1217	1:12 JIMNY PLASTIC CHASSIS	S
C1218	1:12 JIMNY COCKPIT PARTS	S
C1219	1:12 JIMNY STEERING WHEEL SERVO HORN SET	S
C1220	1:12 JIMNY SCREW SET	S
C1221	1:12 JIMNY FRONT LIGHT CUP SET	S
C1222	1:12 JIMNY MAIN BODY	S

"S" for spare part

"O" for optional part

PART NUMBER	PRODUCT DESCRIPTION	S/O
C1223	1:12 JIMNY ROOF	S
C1224	1:12 JIMNY ANTENNA	S
C1225	1:12 JIMNY ROOF STAY BAR	S
C1226	1:12 JIMNY REARVIEW MIRROR AND INTERIOR PARTS	S
C1227	1:12 JIMNY HEAT DISSIPATION GRID	S
C1228	1:12 JIMNY RADIATOR GRILLE	S
C1229	1:12 JIMNY LOGO SET	S
C1230	1:12 JIMNY REAR DOOR	S
C1231	1:12 JIMNY SPARE TIRE FRAME	S
C1232	1:12 JIMNY GIRDER	S
C1233	1:12 JIMNY MOUNTING SET	S
C1234	1:12 JIMNY SHOCK ABSORBER SPRING	S
C1235	1:12 JIMNY DOG BONE	S

"S" für Ersatzteil**"O" für Optional**

PART NUMBER	PRODUCT DESCRIPTION	S/O
C1169	HT-TX01 2.4GHz SENDER	S
C1175	1:12 JIMNY RÄDER	S
C1176	1:12 JIMNY HAUPT-GETRIEBE	S
C1177	1:12 JIMNY ÜBERSETZUNGS-GETRIEBE	S
C1178	1:12 JIMNY ANTRIEBSWELLEN-SET VORNE	S
C1179	1:12 JIMNY ANTREIBSWELLEN-SET HINTEN	S
C1180	1:12 JIMNY TRANSMISSION SHAFT SET	S
C1181	1:12 JIMNY VORDERE ACHSE PLASTIKTEILE	S
C1182	1:12 JIMNY HINTER ACHSE PLASTIKTEILE	S
C1183	1:12 JIMNY KUGELLAGER SET	S
C1184	1:12 JIMNY LENKNABE SET	S
C1185	1:12 JIMNY BREMSSCHEIBE	S
C1186	1:12 JIMNY SPURTSTANGEN SET	S
C1187	1:12 JIMNY 4.0 KUGELKOPF	S
C1188	1:12 JIMNY FEDER SET	S
C1189	1:12 JIMNY STOSSSTANGE	S
C1190	1:12 JIMNY STOSSSTANGE HINTEN	S
C1191	1:12 JIMNY FENSTER SET	S
C1192	1:12 JIMNY SEITENTÜR	S
C1193	1:12 JIMNY VORDERACHSE SET	S
C1194	1:12 JIMNY HINTERACHSE SET	S
C1195	1:12 JIMNY SCHEIBENWISCHER	S
C1196	1:12 JIMNY RÜCKSPIEGEL	S
C1197	1:12 JIMNY SPRITZSCHUTZ	S
C1198	1:12 JIMNY SITZE SET	S
C1199	1:12 JIMNY LENKRAD SET	S
C1200	1:12 JIMNY AUSPUFF	S
C1201	1:12 JIMNY MOTORHAUBE	S
C1203	1:12 JIMNY ANLENKUNG	S
C1204	1:12 JIMNY 4MM LAMPE	S
C1205	1:12 JIMNY GETRIEBE SET	S
C1206	1:12 JIMNY LINSE	S
C1207	1:12 JIMNY LED PCB SET	S
C1208	1:12 JIMNY HT-TX01 2.4GHZ SENDER + 11221 EMPFÄNGER SET	S
C1209	1:12 JIMNY 11221 EMPFÄNGER	S
C1210	1:12 JIMNY LENKSERVO	S
C1211	1:12 JIMNY LENKSERVO	S
C1212	1:12 JIMNY GAS SERVO	S
C1213	1:12 JIMNY LED VERBINDUNGS-KABEL	S
C1214	1:12 JIMNY	S
C1215	1:12 JIMNY TÜRSCHANIER HINTEN	S
C1216	1:12 JIMNY MOTOR DEKOTEILE	S
C1217	1:12 JIMNY KUNSTSTOFF CHASSIS	S
C1218	1:12 JIMNY COCKPIT SET	S
C1219	1:12 JIMNY SERVORHORN SET	S
C1220	1:12 JIMNY SCHRAUBEN SET	S
C1221	1:12 JIMNY FRONTLICHTBECHER	S
C1222	1:12 JIMNY HAUPTKAROSSEERIE	S

"S" für Ersatzteil**"O" für Optional**

PART NUMER	PRODUCT DESCRIPTION	S/O
C1223	1:12 JIMNY DACH	S
C1224	1:12 JIMNY ANTENNE	S
C1225	1:12 JIMNY DACHSTREBEN	S
C1226	1:12 JIMNY RÜCKSPIEGEL UND INTERIEUR	S
C1227	1:12 JIMNY WÄRMEABFUHRGITTER	S
C1228	1:12 JIMNY KÜHLERGRILL	S
C1229	1:12 JIMNY LOGO SET	S
C1230	1:12 JIMNY HINTERTÜR	S
C1231	1:12 JIMNY RAHMEN FÜR ERSATZRAD	S
C1232	1:12 JIMNY TRÄGER	S
C1233	1:12 JIMNY MONTAGESET	S
C1234	1:12 JIMNY STOSSDÄMPFER-FEDER	S
C1235	1:12 JIMNY DOG BONE	S

"R" pour pièce de rechange**"O" pour pièce optionnelle**

Référence	Désignation	R/O
C1169	Emetteur HT-TX01 2.4G	R
C1175	1:12 Jimny - Roues	R
C1176	1:12 Jimny - Pneus 1/12 Jimny	R
C1177	1:12 Jimny - Ensemble boîte de vitesses	R
C1178	1:12 Jimny - Ensemble boîtier de transmission	R
C1179	1:12 Jimny - Jeu de coupelles d'entraînement des roues avant	R
C1180	1:12 Jimny - Jeu d'arbres de transmission des roues arrière	R
C1181	1:12 Jimny - Ensemble arbre de transmission	R
C1182	1:12 Jimny - Pièces plastique d'essieu avant	R
C1183	1:12 Jimny - Pièces plastique d'essieu arrière	R
C1184	Jeu de roulements pour 1:12	R
C1185	1:12 Jimny - Jeu de boîtier de direction	R
C1186	1:12 Jimny - Disque de frein	R
C1187	1:12 Jimny - Jeu de biellette de direction	R
C1188	Rotule 4.0 pour 1:12	R
C1189	1:12 Jimny - Ensemble amortisseur	R
C1190	1:12 Jimny - Pare-chocs	R
C1191	1:12 Jimny - Pare-chocs arrière	R
C1192	1:12 Jimny - Jeu de fenêtres	R
C1193	1:12 Jimny - Porte latérale	R
C1194	1:12 Jimny - Ensemble essieu avant	R
C1195	1:12 Jimny - Ensemble essieu arrière	R
C1196	1:12 Jimny - Essuie-glace	R
C1197	1:12 Jimny - Rétroviseur	R
C1198	1:12 Jimny - Elargisseur d'ailes	R
C1199	1:12 Jimny - Jeu de sièges	R
C1200	1:12 Jimny - Ensemble volant	R
C1201	1:12 Jimny - Pot d'échappement	R
C1203	1:12 Jimny - Capot	R
C1204	1:12 Jimny - Tringlerie	R
C1205	1:12 Jimny - Rotule 4 mm	R
C1206	1:12 Jimny - Jeu de pignons	R
C1207	1:12 Jimny - Optiques de phares	R
C1208	1:12 Jimny - Ensemble PCB de LEDs	R
C1209	Ensemble Emetteur HT-TX01 2.4G + récepteur 11221	R
C1210	Récepteur 11221 pour 1:12	R
C1211	1:12 Jimny - Servo de direction	R
C1212	1:12 Jimny - Servo de volant	R
C1213	1:12 Jimny - Servo de changement de rapport	R
C1214	1:12 Jimny - Fil de connexion de LED	R
C1215	1:12 Jimny - Charnière de porte arrière	R
C1216	1:12 Jimny - Pièces de décoration de compartiment moteur	R
C1217	1:12 Jimny - Châssis plastique	R
C1218	1:12 Jimny - Pièces de la cabine	R
C1219	1:12 Jimny - Ensemble volant et palonnier de servo	R
C1220	1:12 Jimny - Jeu de vis	R
C1221	1:12 Jimny - Jeu de boîtiers de phares avant	R
C1222	1:12 Jimny - Carrosserie principale	R

"R" pour pièce de rechange**"O" pour pièce optionnelle**

Référence	Désignation	R/O
C1223	1:12 Jimny - Toit	R
C1224	1:12 Jimny - Antenne	R
C1225	1:12 Jimny - Barre anti-roulis	R
C1226	1:12 Jimny - Pièces de rétroviseur intérieur	R
C1227	1:12 Jimny - Grille dissipateur thermique	R
C1228	1:12 Jimny - Calandre	R
C1229	1:12 Jimny - Jeu de logos	R
C1230	1:12 Jimny - Porte arrière	R
C1231	1:12 Jimny - Support de roue de secours	R
C1232	1:12 Jimny - Longeron	R
C1233	1:12 Jimny - Jeu de supports d'amortisseurs	R
C1234	1:12 Jimny - Ressort d'amortisseur	R
C1235	1:12 Jimny - Cardan	R

"S" 为配件

"O" 为升级件

PART NUMBER	PRODUCT DESCRIPTION	S/O
C1169	HT-TX01 2.4G	S
C1175	1:12 吉姆尼 车轮毂	S
C1176	1:12 吉姆尼 轮胎	S
C1177	1:12 吉姆尼 驱动牙箱组	S
C1178	1:12 吉姆尼 分动牙箱组	S
C1179	1:12 吉姆尼 前轮转动组件	S
C1180	1:12 吉姆尼 后轮轴	S
C1181	1:12 吉姆尼 万向传动组	S
C1182	1:12 吉姆尼 前桥胶件	S
C1183	1:12 吉姆尼 后桥胶件	S
C1184	1:12 吉姆尼 轴承	S
C1185	1:12 吉姆尼 转向杯	S
C1186	1:12 吉姆尼 刹车片	S
C1187	1:12 吉姆尼 转向连杆	S
C1188	4.0 球轴	S
C1189	1:12 吉姆尼 避振组	S
C1190	1:12 吉姆尼 前防撞	S
C1191	1:12 吉姆尼 后防撞	S
C1192	1:12 吉姆尼 车窗	S
C1193	1:12 吉姆尼 左右车门	S
C1194	1:12 吉姆尼 前桥总成	S
C1195	1:12 吉姆尼 后桥总成	S
C1196	1:12 吉姆尼 雨刷	S
C1197	1:12 吉姆尼 后视镜	S
C1198	1:12 吉姆尼 档泥板	S
C1199	1:12 吉姆尼 座椅	S
C1200	1:12 吉姆尼 方向盘	S
C1201	1:12 吉姆尼 排气管	S
C1203	1:12 吉姆尼 引擎盖	S
C1204	1:12 吉姆尼 连杆	S
C1205	1:12 吉姆尼 4MM波头	S
C1206	1:12 吉姆尼 齿轮	S
C1207	1:12 吉姆尼 灯片	S
C1208	1:12 吉姆尼 灯板	S
C1209	HT-TX01 2.4G + 11221接收板	S
C1210	1:12 吉姆尼 接收板	S
C1211	1:12 吉姆尼 转向舵机	S
C1212	1:12 吉姆尼 方向盘舵机	S
C1213	1:12 吉姆尼 换档舵机	S
C1214	1:12 吉姆尼 灯接线	S
C1215	1:12 吉姆尼 尾门铰	S
C1216	1:12 吉姆尼 引擎室装饰件	S
C1217	1:12 吉姆尼 车底板	S
C1218	1:12 吉姆尼 驾驶座装饰件	S
C1219	1:12 吉姆尼 方向盘舵机摇臂	S
C1220	1:12 吉姆尼 螺丝包	S
C1221	1:12 吉姆尼 前灯杯	S
C1222	1:12 吉姆尼 主体	S

"S" 为配件

"O" 为升级件

PART NUMBER	PRODUCT DESCRIPTION	S/O
C1223	1:12 吉姆尼 车顶盖	S
C1224	1:12 吉姆尼天线	S
C1225	1:12 吉姆尼引擎盖支撑杆	S
C1226	1:12 吉姆尼 内后视镜及内饰件	S
C1227	1:12 吉姆尼 散热栅格	S
C1228	1:12 吉姆尼 前面罩	S
C1229	1:12 吉姆尼 车标	S
C1230	1:12 吉姆尼 尾门	S
C1231	1:12 吉姆尼 备胎架	S
C1232	1:12 吉姆尼 大樑	S
C1233	1:12 吉姆尼 码件	S
C1234	1:12 吉姆尼 避振弹簧	S
C1235	1:12 吉姆尼 长狗骨	S

