

Please completely read and understand the entire manual before using, assembling and/or disassembling your remote controlled car.

1/12TH SCALE ELECTRIC POWERED 4WD BUGGY/TRUGGY/TRUCK

## INSTRUCTION MANUAL

### **SURVIVOR XB**

ITEM NO.:12811B



### **RTR**

### **SURVIVOR MT**

ITEM NO.:12813



### **SURVIVOR ST**

ITEM NO.:12812



**Hobby Grade  
Four Wheel Drive  
Ball Bearings  
Splash-resistant  
Metal Diff.  
FUN-AFFORDABLE**

#### **BATTERY SAFETY INFORMATION**

If you do not use it for any extended period of time (e.g. during storage), disconnect and remove the rechargeable batteries inserted in the vehicle to prevent damage from leaking rechargeable batteries.

To prolong battery life, do not allow the vehicle to be used to a standstill resulting in the battery being completely over-discharged.

Always stop use with power remaining to preserve battery life.

CAR NO.:	CAR TYPE	LENGTH	WIDTH	HEIGHT	WHEELBASE	WHEEL DIA.	WHEEL WIDTH	GROUND CLEARANCE	GEAR RATIO
12811B	BUGGY	360mm	240mm	115mm	240mm	74mm	30mm(Fr.) 38mm(Rr.)	38mm	1:11.46
12812	TRUGGY	371mm	285mm	130mm	240mm	88mm	43mm	45mm	1:12.4
12813	TRUCK	340mm	280mm	158mm	240mm	98mm	48mm	50mm	1:12.4

This data is subject to change without prior notification as the improvement and modification occur.

- This product is not a toy. It is not intended for persons under 14 years of age, unless closely supervised by an adult.
- This manual is subject to change without prior notice.

## GENERAL INFORMATION

- This user's manual is designed for use with your vehicles and contains the instructions you will need to assemble, operate and maintain your vehicles.
- We know you are anxious to start driving, but it is very important that you take time to read the manual even if you are an experienced R/C driver.
- Carefully read and follow all instructions in the manual. Failure to follow the instructions will be considered abuse and/or neglect and may void the warranty.
- Your vehicle is designed to run on uneven or rough terrain. However dust, sand, water and carpet fibres can lodge in the working parts of your cars and can damage your vehicle if not removed promptly. We do not warranty your vehicle from damage due to outside elements including sand, dirt or water. The users are responsible for the maintenance and safe operation of this vehicle.
- This product is not a toy. It is not suitable for users under 14 years old unless they are supervised by adults.
- Never attempt to re-assemble any electronic components. These have been carefully calibrated at the factory.
- Only use manufactured parts to upgrade your car. If you perform a drive train upgrade, replace the entire system (Such as motor, ESC/receiver unit and the like) so that all components are properly matched. Any malfunction incurred by custom modification will void your warranty.
- Before driving your vehicle, please read this manual completely and examine your vehicle and radio control for any defects.
- For better performance, some adjustment may be necessary.
- This vehicle requires one battery pack ( included in the car or in the packaging). Make sure the vehicle's batteries have a sufficient charge before driving or possible loss of control may result. The radio controller requires two AA size batteries (not include in the packaging).
- Always remove batteries from the vehicle and the radio controller when not in use.
- Please operate your vehicle in a spacious area. Never operate your vehicle in crowded street.
- This product is fully assembled at factory. We do not take any responsibility for damage and/or accidents that occur as the result of custom modifications and/or incorrect operation.

## GETTING FAMILIARIZED WITH YOUR 2.4GHz RADIO SYSTEM

Your car is equipped with the new 2.4GHz radio system .Please read and understand all instructions below before operating.



**Steering Wheel:** It proportionally operate the right and left steering control of the model.

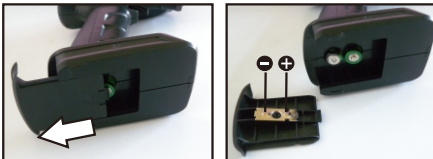
**Battery Case:** It requires 2pcs of AA size batteries.

**Power Switch:** It is applied to turn ON/OFF the radio controller.

**Steering Trim:** It is applied to adjust the centre trim of the steering channel.

**Steering Reverse:** It allows you to switch the directions of the steering servo travel.

**Power Indicator:** When the radio controller is turned on, LED flashes sharply which indicates that the radio controller is seeking the receiver's signal and binding is in process. When the power is enough, LED is solid on. When the power is not enough, LED will have two flashes in turn.If it is the case, you are required to replace with the new batteries.



The battery cover is located on the bottom of the radio controller. Slide the battery cover as shown in the photos, install two AA size batteries into the battery compartment, and replace the battery cover.

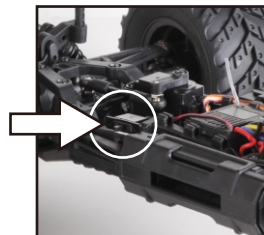
## RUNNING YOUR CAR

Install the batteries to your car firstly. (See the chapter: CHARGING THE BATTERIES FOR CAR)

**NOTE: ALWAYS REMOVE THE BATTERIES FROM THE CAR WHEN NOT IN USE.**

**1) TURN ON THE RADIO CONTROLLER**

**2) TURN ON THE RECEIVER ON YOUR CAR**



**NOTE:** To run your car, switch on the radio controller ,and then the receiver. To stop your car, switch off the receiver first, and then the radio controller. (Your car is automatically bound with the radio controller when both are switched on.)

### 3 CHECK STEERING PERFORMANCE

- Ensure reliable steering performance.



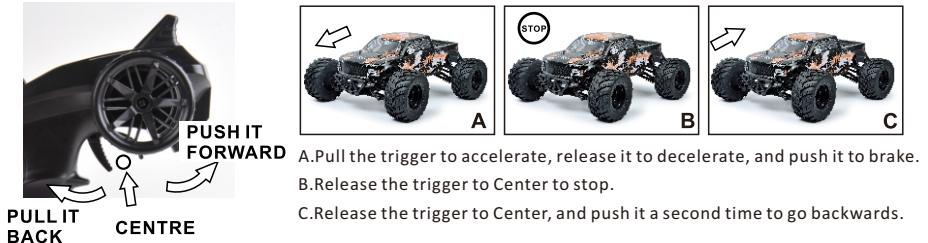
1) Place the steering wheel at Center to enable the vehicle to run straight in line.

(NOTE: Flipping to trim the steering wheel is occasionally needed. It largely depends on the conditions of the terrains on which the vehicle runs.

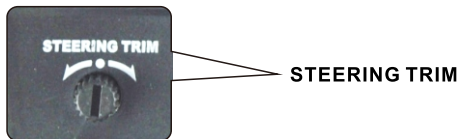
2) Turn the steering wheel to the left, and the car turns left.

3) Turn the steering wheel to the right, and the car turns right.

### 4 CHECK TRIGGER RESPONSE



### 5 TO TUNE THE STEERING TRIM



The trigger is unmoved and the vehicle is static. Tune the steering trim to enable the front wheels to be aligned. Under this case, the steering Center Point is set. You can tune this switch to obtain your desired Left/Right steering angles.

### 6 TO TUNE THE THROTTLE TRIM

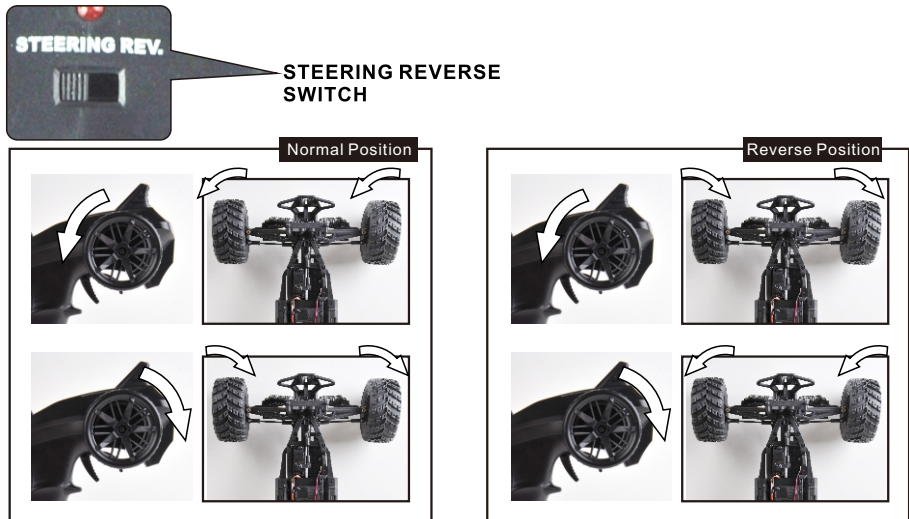


Place the vehicle with four wheels off ground. Trim the switch and you will see the wheels run either forwards or backwards. When the wheels are trimmed to stop, this point is throttle Center Point.

## 7 TO REVERSE THE STEERING MODE

It enables you to switch the direction of the steering servo's travel.

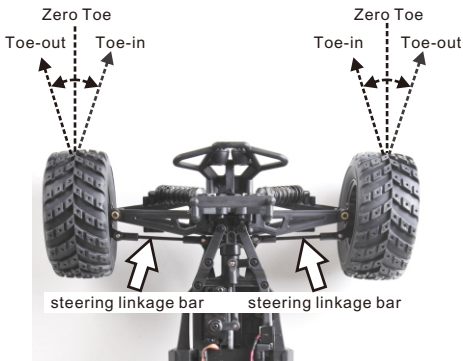
One way is Normal position, and the other is Reverse position. Please refer to the photos below:



## ADJUSTING FRONT STEERING TOE ANGLE

Your vehicle can be customized to enhance performance. Simple adjustment and easily maintaining setting will assure optimum operation and performance. When making adjustments, do so only in small increments and always check for other parts of the vehicle that are affected.

Many after market options are available to make your R/C vehicle faster and stronger. Please read this section carefully and it always makes sure you write down your base settings in case you need to refer to them at a later date. The front steering toe angle has a dramatic on how your car performs and your tires wear. You can have toe-in, zero toe or toe-out. This can be adjusted by tuning the length of the steering linkage bars with the help of the wrench. Before tuning, the steering linkage bars should be taken out from the vehicle. Measure them for desired length by unscrewing or screwing in. Reinstall them to the vehicle after adjustment is complete.



### Toe-in:

It will be less reactive and cause the vehicle to under steer (the front wheels push straight on while turning.)

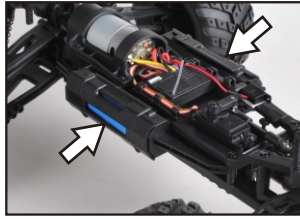
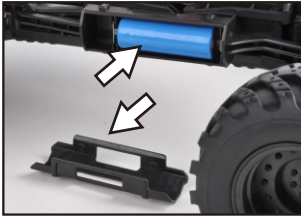
This can be advantageous for operators struggling to get to grips with the driving of the vehicle.

### Toe-out:

It will be more aggressive on the steering response especially on small steering inputs. This will make the car want to over steer (rear wheels slide on small steering inputs). This is useful as a race tuning aid to gain extra steering

Zero toe will make the front wheels run straight and make the car very neutral. Tire wear will also be reduced and the vehicle will feel easier to drive.

## CHARGING BATTERIES FOR CAR

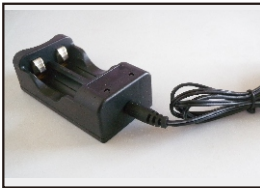


Open the battery compartment and remove the batteries from the car.

Use Only the provided charger and charger box to charge the batteries for your car.

Connect the charger box with the charger, and load the batteries onto the charger box.

Always observe correct polarity (plus/+ and minus/-) . The polarity is indicated in the charger box.



Plug the charger into a proper mains socket of the public mains. (Wall Outlet).

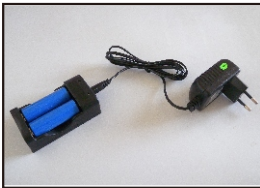
One LED per charging tray will indicate charging.

**LED is lit red: The battery is being charged.**

**LED is lit green: Charging is completed.**

Charging time is approx. 3.5-4 hours (for 2pcs of 3.7V, 1500mAH Li-ion batteries)

TIP: The LEDs flash alternately when no battery is loaded.



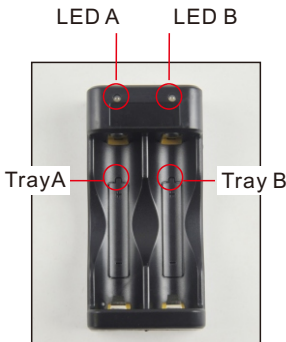
For the sake of safety , this charger will NOT charge the batteries which are over-discharged.

(Battery voltage is very low which is damaged).

Once you confront the situation below, you must replace with new batteries.

After the batteries are properly loaded:

- 1) LED (A) flashes: The battery in the tray A is over-discharged and damaged.
- 2) LED (B) flashes: The battery in the tray B is over-discharged and damaged.
- 3) Both LED (A) and LED (B) flash: Both batteries are over-discharged and damaged.



**!** To prolong battery life ,do not allow the vehicle to be used to a standstill resulting in the battery being completely over-discharged. Always stop use with power remaining to preserve battery life.

## RUNNING PRACTICE

Please run the vehicle in a slow speed when you are not a skilled driver.

Once you become conformable driving the vehicle, perform driving practice on the tracks as shown in the figure above. Keep practicing until you feel comfortable with the steering, throttle and brake at low speeds. Once you are feeling comfortable , try operating the vehicle on another track. When you have mastered the basics, you will be able to drive the vehicle at higher speeds in a more controlled fashion.

## MAINTAINING YOUR CAR

We warmly recommend that you check and maintain the vehicle after use. The items in the list below will facilitate you, and follow the list to do will maintain performance of vehicle.

- Disconnect and remove the batteries from the car and the radio controller.
- Inspect the vehicle for any obvious damage.
- Check the gears for wear, debris or broken/slipping teeth.
- Check the wheels and tighten the wheel screws/nuts properly.
- Check of loose screws in the chassis.
- Check the wiring for frayed or damaged wires and/or connectors.
- Check the steering servo which will wear out over time and require replacement.
- Check all batteries in the car and in the radio controller. Charge or replace them.
- Keep the chassis clean and free of sand, dust and moisture.
- Check there are no grass (or something) getting twisted in the drivetrain and clean them.
- Clean the motor if necessary. ( Never attempt to re-assemble the motor.)
- Clean the car body with a soft lint-free cloth.
- Store the vehicle in a clean and dry place out of children's reach. Storage should not expose the vehicle to any source of heat and water.

## TROUBLESHOOTING

### A. The vehicle does not work at all:

- 1) Check to ensure that radio controller and car are switched on.
- 2) Check the battery power, and replace with the new batteries if necessary
- 3) Check if there are damaged parts/wires/connectors, repair or replace if necessary
- 4) Car battery is flat. Charge the battery pack.

### B. The vehicle runs slowly:

- 1) Car battery is flat. Charge the battery pack.
- 2) Check if the vehicle is properly geared and no dirty or stripped gears are found, and make sure the reliable gear mesh for motor pinion and the spur gear.
- 3) Check if there is something troubling to the moving parts, and clean them immediately.

### C. The throttle works but not the steering:

- 1) Check if the servo feels jammed, and try centering it gently if it is the case.
- 2) Check if the servo link is loose or the servo breaks. Repair or replace with the new one if possible.

### D. It steers, but throttle is uncontrollable:

- 1) Check if there are damaged parts in the entire drivetrain.
- 2) Check the batteries both for radio controller and the car.

### E. The vehicle runs noisily:

- 1) Check gear mesh between spur gear and motor pinion.
- 2) Check if there are stripped and/or dirty gears.
- 3) Check if there are some parts getting damaged in the entire drivetrain.

### F. You do not pull or push the trigger, but the vehicle goes forwards/backwards:

Please set the Throttle Trim to Throttle Center Point.

### G. The vehicle is found one direction's steering travel is not same to the other

Please set the Steering Trim to Steering Center Point.

### H. Not able to charge the batteries:

Check both the charger and the batteries if they are damaged.

For Li-PO, Li-ion batteries: Check if the batteries are over-discharged. Replace with the new batteries.

# REPLACEMENT PART LIST-1

12600R	12601R	12602R	12603
 <p><u>Only For 3.7V, 1100mAH batteries</u> Chassis</p>	 <p>Gear Box Housing+ Upper Deck+ Battery Cover</p>	 <p>Spur gear+Pinion Gear+ Motor Guard+Steering Bushings</p>	 <p>Suspension Arms (left/ Right is same)</p>
12604R	12605R	12606	12607
 <p>Dogbones+ Dogbone Cups</p>	 <p>Steering Hubs+Shock Towers</p>	 <p>Wing Stay + Wing</p>	 <p>Body Posts+ Bumper</p>
12608	12609	12610	12611R
 <p>Roll Cage + Skid Plate</p>	 <p>Shocks Complete (2pcs Front and 2pcs rear)</p>	 <p>Front Steering Links (2pcs) + Servo Link</p>	 <p>Diff. Gears(Metal)+Diff. Case+ Shims+Mount Screws</p>
12612	12613	12614	12615
 <p>Centre Dogbone (4*200mm)</p>	 <p>Front Upper Suspension Hinge Pins (4P) 3*28mm</p>	 <p>Front/Rear Lower Suspension Hinge Pins (4P) 2.5*36mm</p>	 <p>Dogbone Pins 4P (2*10mm) Dogbone Pivot Pins 6P (2.2*11.5mm)</p>
12616	12617	12618	12619A
 <p>Motor Heatsink</p>	 <p>Washers 4P (φ 6.3*12.5*0.2mm) Washers 8P (φ 2.7*5.5*0.3mm) Washers 2P (φ 8.2*10.5*0.3mm)</p>	 <p>Wheel Lock Screws+Lock Pads</p>	 <p>3.7V,1100mAH Batteries (Li-ion) 2pcs</p>

NOTE: THE PART IMAGES MAY VARY FROM THE ACTUAL PARTS.























# REPLACEMENT PART LIST-2

16003N	25014	12518	79513
 <p>Front/rear Hub Carrier Pins(4P) 2.5*23mm</p>	 <p>Battery Contact Strips</p>	 <p>Servo Savers</p>	 <p>Ball bearing 7.95x13x3.5mm(8P)</p>
12600BT	12633	H013	H021
<p><b>OPTIONAL</b></p>  <p>Only For 3.7V, 1500mAH batteries Chassis</p>	<p><b>OPTIONAL</b></p>  <p>3.7V, 1500mAH Batteries (Li-ion) 2pcs</p>	 <p>Ball Stud. ( 8pcs)</p>	 <p>Body Clip A/B- Small</p>
12010	P011	12060	12034
 <p>Wheel Hex. (8P)</p>	 <p>Zip Ties - Small ( 8P)</p>	 <p>Motor Pinion Gears 12T + Set Screws 3*3mm(2P)</p>	 <p>Front Tires(Dune Buggy) 2P</p>
12035	12036	12037	12038
 <p>Front Rims(Dune Buggy) 2P</p>	 <p>Front Wheels Complete (Dune Buggy) 2P</p>	 <p>Rear Tires(Dune Buggy) 2P</p>	 <p>Rear Rims(Dune Buggy) 2P</p>
12039	12054	12055	12056
 <p>Rear Wheels Complete (Dune Buggy) 2P</p>	 <p>Off Road Tires , w/Sponge Inserted (Truggy)</p>	 <p>Spoke Rims (Truggy)</p>	 <p>Wheels Complete(Truggy)</p>

NOTE: THE PART IMAGES MAY VARY FROM THE ACTUAL PARTS.

# REPLACEMENT PART LIST-3

12057	12620	12621	12522
			
Off Road Tires, w/Sponge Inserted(Truck)	Spoke Rims (Truck)	Wheels Complete(Truck)	ESC/Receiver Unit
12640	12030	12680	12681
			
RC 390 motor	5-wire Servo (19g)	Buggy Body (Survivor XB) -Red	Buggy Body(Survivor XB) -Yellow
12684	12686	12687	12689
			
Truggy Body(Survivor ST) -Orange	Truggy Body(Survivor ST) -Blue	Truck Body(Survivor MT) -Orange	Truck Body(Survivor MT) -Blue
S011	S016	S018	S020
			
Countersunk Self Tapping Screw 2*15mm (12P)	Set Screw 3*3mm (12P)	Round Head Self Tapping Screw 2.6*8mm(12P)	Countersunk Self Tapping Screw 2.6*8mm (12P)
S029	S062	S107	S109
			
Round Head Self Tapping Screw 2.6*10mm(12P)	Countersunk Screw 3*10mm (12P)	Round Head Self Tapping Screw 2.6*15mm (12P)	Set Screw 3*4mm (12P)

**NOTE: THE PART IMAGES MAY VARY FROM THE ACTUAL PARTS.**

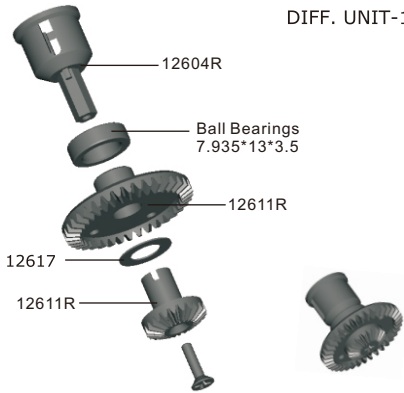
# REPLACEMENT PART LIST-4

S152	S160	S181	S201
			
<p>Step Screws 3.5*4.5-3*4.6mm(12P)</p>	<p>Flange Head Self Tapping Screws 2.6*8mm (12P)</p>	<p>Countersunk Screw 2.5*8mm (12P)</p>	<p>Round Head Self Tapping Screw 2.6*25mm (12P)</p>
25026	25027	25028	25029
			
<p><b>Only For 3.7V. 1100mAH batteries</b> Charge Box/ Charger (European Standard Charger)</p>	<p><b>Only For 3.7V. 1100mAH batteries</b> Charge Box/ Charger (American Standard Charger)</p>	<p><b>Only For 3.7V. 1100mAH batteries</b> Charge Box/ Charger (Australian Standard Charger)</p>	<p><b>Only For 3.7V. 1100mAH batteries</b> Charge Box/ Charger (U.K. Standard Charger)</p>
12026	12203BT	12204	
<p>OPTIONAL PART</p> 	<p>OPTIONAL PART</p> 	<p>OPTIONAL PART</p> 	
<p>Brushed Motor Pinion Gears 13T +Set Screws 3*3mm(2P)</p>	<p>Front Aluminum shock set</p>	<p>Rear Aluminum shock set</p>	
12641	12642	12643	12644
<p>OPTIONAL PART</p> 	<p>OPTIONAL PART</p> 	<p>OPTIONAL PART</p> 	<p>OPTIONAL PART</p> 
<p><b>Only For 3.7V. 1500mAH batteries</b> Charge Box/ Charger (European Standard Charger)</p>	<p><b>Only For 3.7V. 1500mAH batteries</b> Charge Box/ Charger (American Standard Charger)</p>	<p><b>Only For 3.7V. 1500mAH batteries</b> Charge Box/ Charger (Australian Standard Charger)</p>	<p><b>Only For 3.7V. 1500mAH batteries</b> Charge Box/ Charger (U.K. Standard Charger)</p>
12710C	12711C		
			
<p>Front CVD Shaft(metal)+ nuts+screws+wheel pins+ Diff. Outdrive Cups(metal)</p>	<p>Rear CVD Shaft(metal)+ nuts+screws+wheel pins+ Diff. Outdrive Cups(metal)</p>		

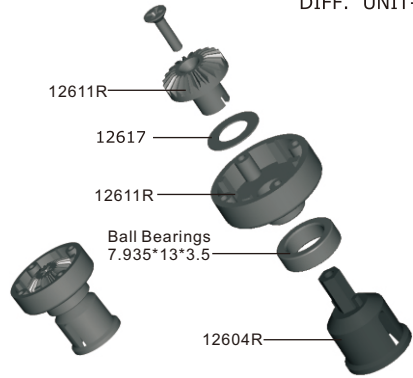
**NOTE: THE PART IMAGES MAY VARY FROM THE ACTUAL PARTS.**

# EXPLODED VIEW-1

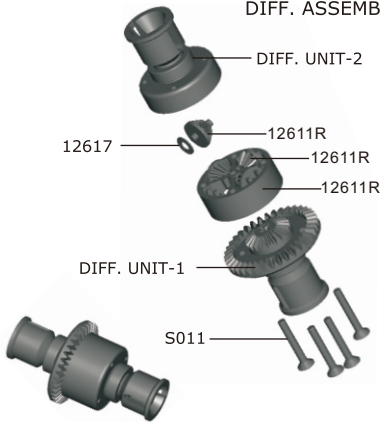
DIFF. UNIT-1



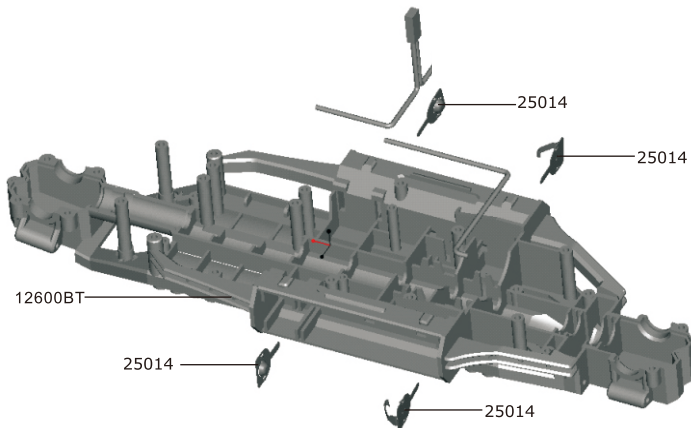
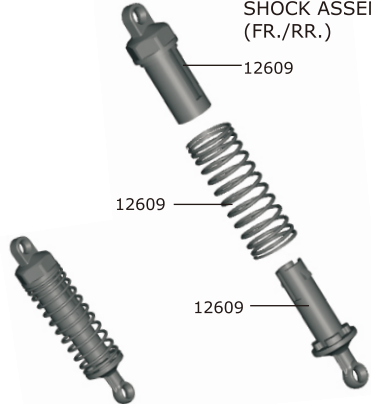
DIFF. UNIT-2



DIFF. ASSEMBLY



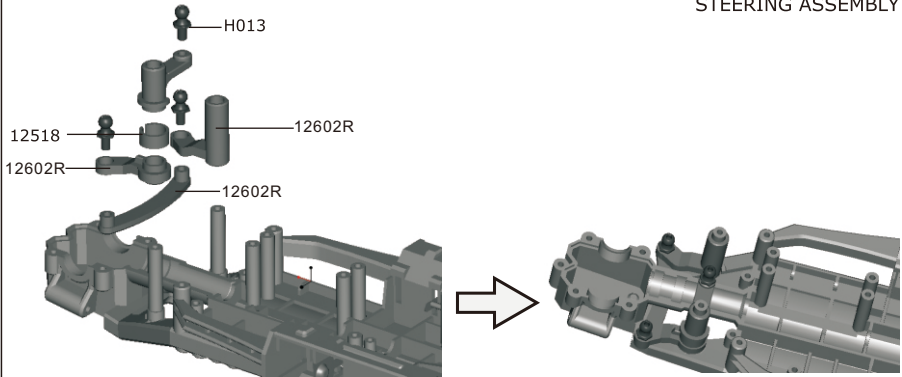
SHOCK ASSEMBLY  
(FR./RR.)



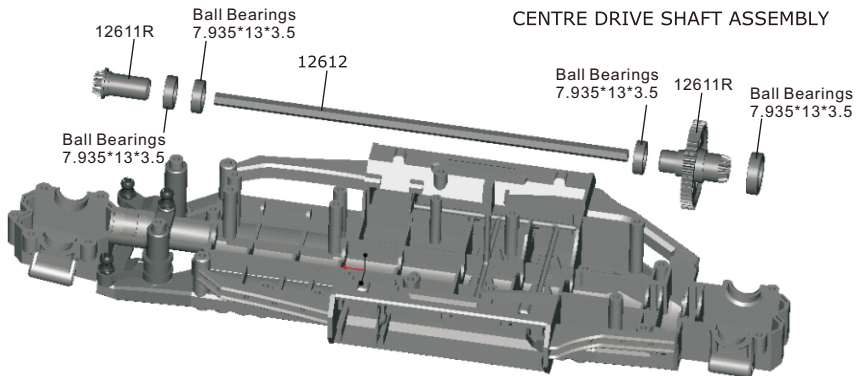
NOTE: THE PART IMAGES MAY VARY FROM THE ACTUAL PARTS.

## EXPLODED VIEW-2

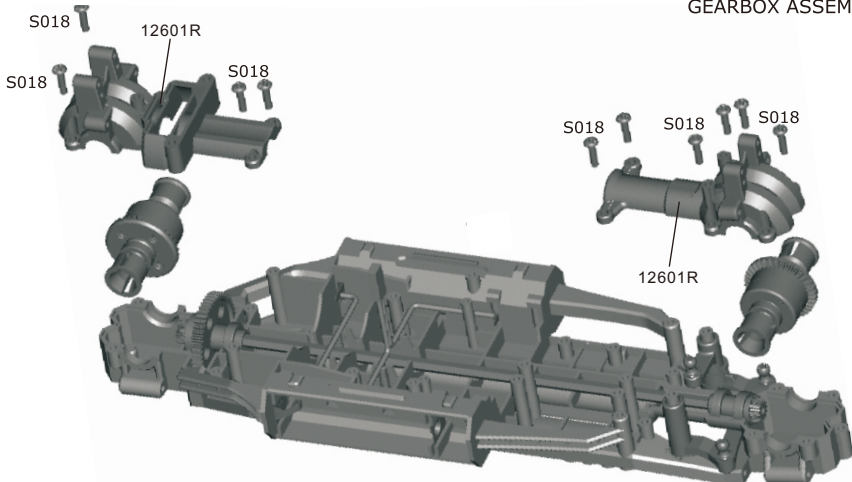
### STEERING ASSEMBLY



### CENTRE DRIVE SHAFT ASSEMBLY



### GEARBOX ASSEMBLY

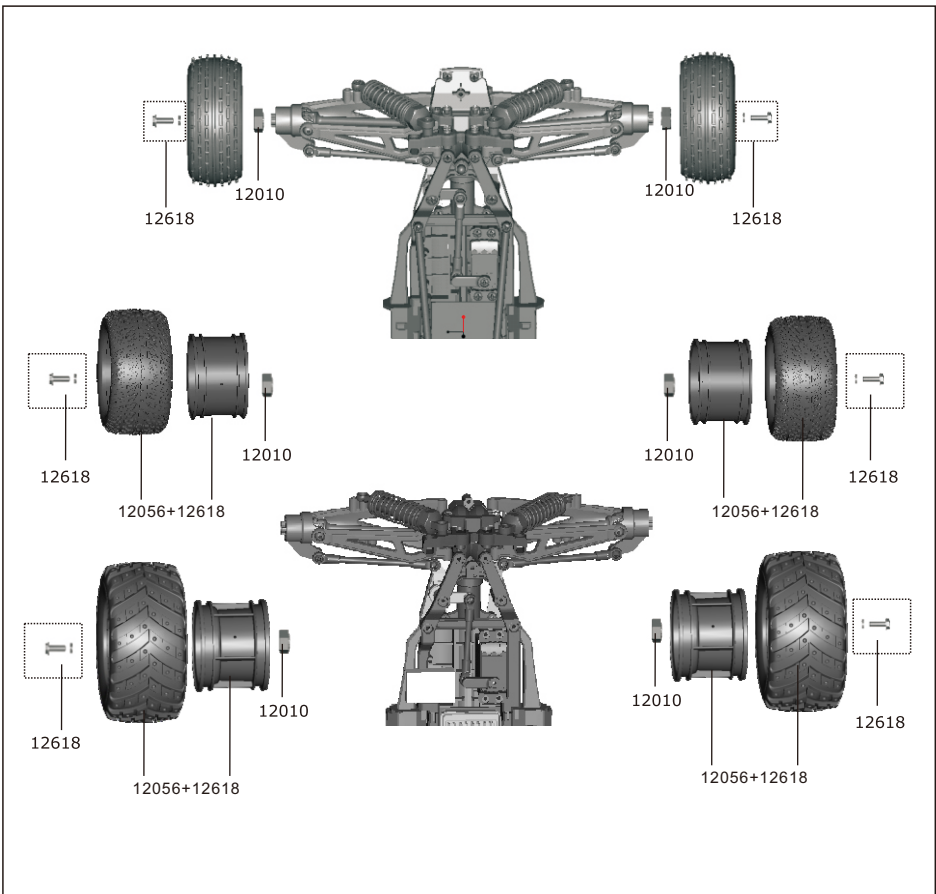
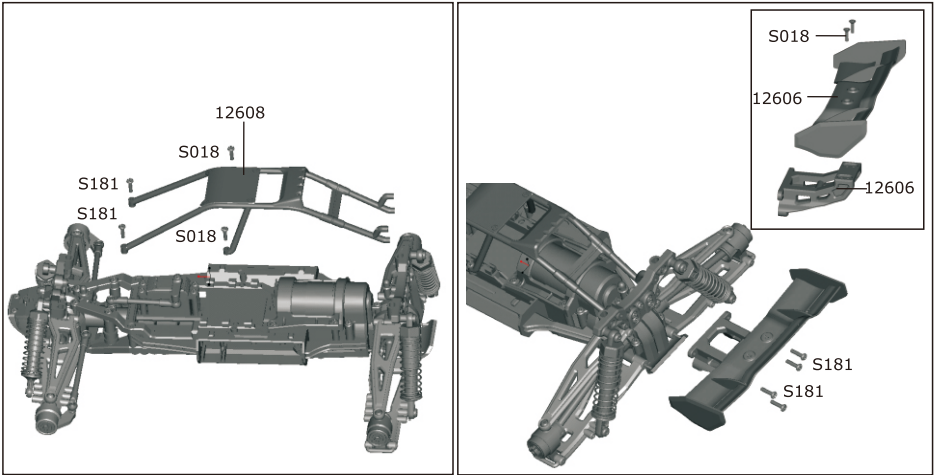


NOTE: THE PART IMAGES MAY VARY FROM THE ACTUAL PARTS.





# EXPLODED VIEW-5



NOTE: THE PART IMAGES MAY VARY FROM THE ACTUAL PARTS.



**Please completely read and understand the entire manual before using, assembling and/or disassembling your remote controlled car.**

Thank you for purchasing our product.

This product is an authentic remote controlled vehicle (RC vehicle). It is not a toy.

Read and understand this instruction manual thoroughly before operating the vehicle.

If you are not familiar with RC vehicles, we recommend that seek out RC experts for reliable advice.

## **WARNINGS**

- This R/C vehicle is intended for persons over 14 years of age. Children under 14 years of age should only operate this car under supervision by an adult.
- To avoid losing control of your car, do not operate near other electric remote controlled products.
- Please operate your vehicle in a spacious area. Never operate your vehicle in crowded street.
- This product is fully assembled at factory. We do not take any responsibility for damage and/or accidents that occur as the result of custom modifications and/or incorrect operation.