

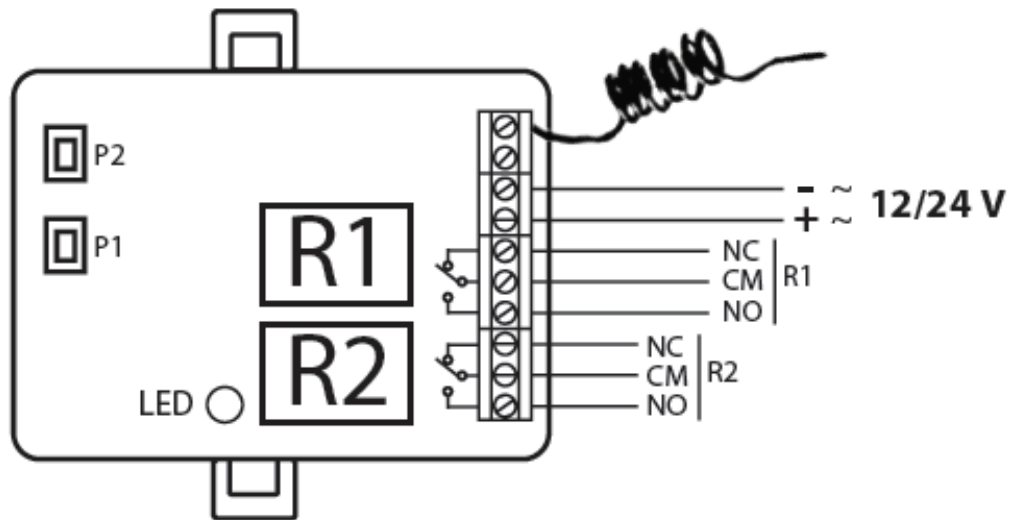
Model: A 1011

Two Channel UHF Remote Control Switch System

Operating Instructions



This 433MHz rolling code remote control switching system allows you to switch connected devices on and off remotely. It could be integrated with fans, LED lighting, cameras, doors, locks, motors and much more! Package includes two dual button remote transmitters and waterproof outdoor receiver unit. Two channels are available, both with dedicated relays (rated at 12A @ 14V dc, 7A 120V ac). Can be programmed for use with up to 100 transmitters. Requires 9-24V ac/dc power. Typical range 40-50m.



Learning Mode: Programming:

NOTE: The radio control units included in the pack are already programmed and ready to use.

See the above diagram to find the correct buttons to press.

Press the P1 as instructed below to enter different modes:

ONE time to program R1 in monostable mode - LED flashes one time and stays alight, then press the button that you want the unit to learn, until the LED goes off. Channel R1 has successfully learned the code. The control mode of relay is non-locking (state A).

TWO times to program R2 in monostable mode - LED flashes two times and stays alight, then press the button that you want the unit to learn, until the LED goes off. Channel R2 has successfully learned the code. The control mode of relay is non-locking (state B).

THREE times to program R1 in bistable mode - LED flash three times and stays alight, then press the button that you want the unit to learn, until the LED goes off. Channel R1 has successfully learned the code. The control mode of relay is interlocking (state C).

FOUR times to program R2 in bistable mode - LED flash four times and stays alight, then press the button that you want the unit to learn, until the LED goes off. Channel R2 has successfully learned the code. The control mode of relay is interlocking (state D).

Note: If you press P1 many times, the state D will deactivate. Hold down the key of the radio remote control that you would like to acquire until the led blinks.

Erasing Codes

There are two types of code deletion available.

Deletion of an Individual Programmed Code:

Press the P2 key for approximately 2 seconds then let go, the LED will come on. Press the key on the radio control unit to be deleted.

Deletion of ALL Programmed Codes:

Press P2 until the LED comes on, approximately 8 seconds.

Specifications

Power Supply	9V - 24V AC / DC
Frequency	433.92 MHz , 315 MHz
Max Consumption	200 mA
Decoding	Binary
No. of Max Codes	140
No. of Channels	2
No. of Outputs NO / NC	2
Max Switching Power	0.5 A / 120 VA
Operating Temperature	-20/ + 50 °C
Working Distance	40 - 50 meters
Relay Spec.	12A 14V DC or 7A 120V AC

WARNING

- It is important the following manual should be followed for safety reasons. Incorrect installation or improper use of the product can lead to severe damage to property and/or persons.
- The packaging materials should be kept out of the reach of children since they are potentially hazardous.
- Do not modify the device in any way.
- Disconnect the power supply prior to any intervention on the system.
- The status of the system has a direct influence on the reliability and safety of the device.
- Anything not expressly envisaged in these instructions is not permitted.
- Store the instructions for future reference.

Altronic Distributors warrants this product for one year from date of purchase from Altronics or its resellers to the consumer. If this item is part of an installation or another product, please contact the installer or supplier for your warranty.

During the warranty period, we undertake to repair or replace your product at no charge if found to be defective due to a manufacturing fault. The warranty excludes damage by misuse or incorrect installation (i.e. failure to install and operate device according to specifications in the supplied instruction manual), neglect, shipping accident, or no fault found, nor by use in a way or manner not intended by the supplier.

For repair or service please contact your PLACE OF PURCHASE.

If this item was purchased directly from Altronics please make a warranty claim by:

1. FOR MAIL ORDER CUSTOMERS (includes school and trade orders),

a) Calling your nearest store location and quoting your tax invoice number.

b) Upon contacting Altronics, we will issue an R.A. (Return Authorisation). As Altronics have a number of service agents throughout Australia, a copy of the R.A. will be emailed, faxed or mailed to you with full instructions of how and where to send the goods. The freight for shipping goods back to Altronics for all repairs is at the customers expense.

c) A copy of the R.A. form, (or at the very minimum, the R.A. number) must accompany the goods to effect the repair.

d) Altronics will pay the return freight to the customer where the warranty claim has been accepted.

e) Please quote the R.A. number in any correspondence to us.

2. FOR OVER THE COUNTER PURCHASES to make a warranty claim, please return the goods to us in any of our stores, with a copy of your proof of purchase (tax invoice).

a) Upon leaving the goods at one of our stores, an R.A. number will be issued to you.

b) Once repaired, you will be contacted, advising that the goods are ready to be collected from the store.

It is at Altronics discretion as to whether the goods will be repaired or replaced (whilst under warranty); and as to whether identical goods will be used to replace the item due to changes of models / products.

Note: Under no circumstances should you attempt to repair the device yourself or via a non-authorised Altronics service centre, as this will invalidate the warranty!

Our goods come with guarantees that cannot be excluded under the Australian Consumer Law. You are entitled to a replacement or refund for a major failure and for compensation for any other reasonably foreseeable loss or damage. You are also entitled to have the goods repaired or replaced if the goods fail to be of acceptable quality and the failure does not amount to a major failure.

Distributed by Altronic Distributors Pty. Ltd.

Phone: (08) 9428 2199

altronics.com.au

Revision 16/10/2020