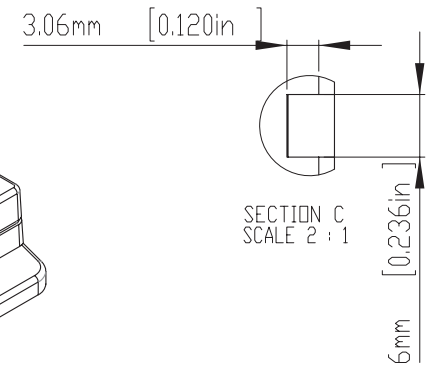
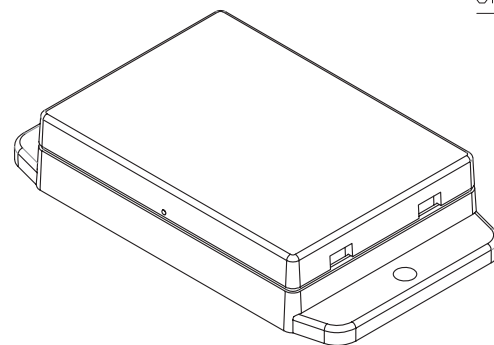
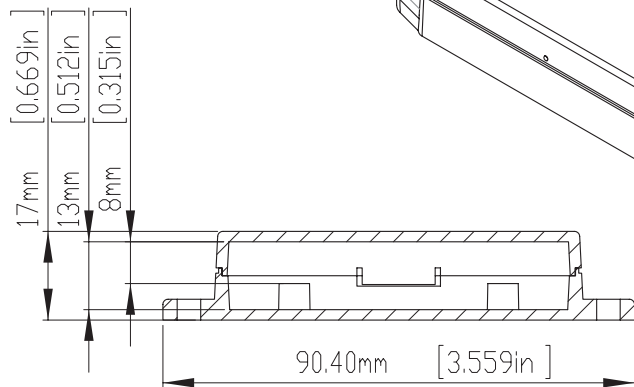
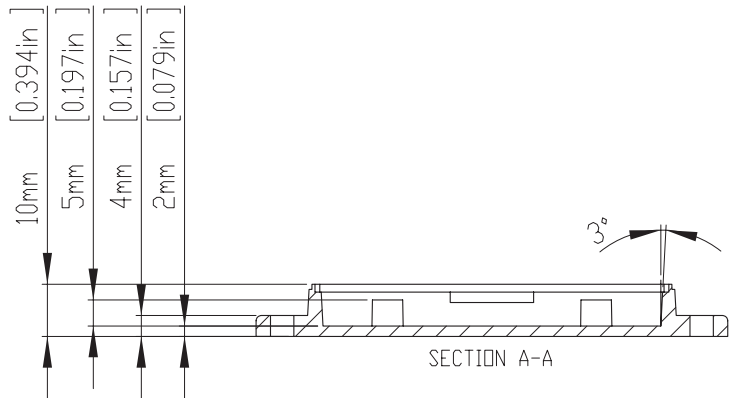
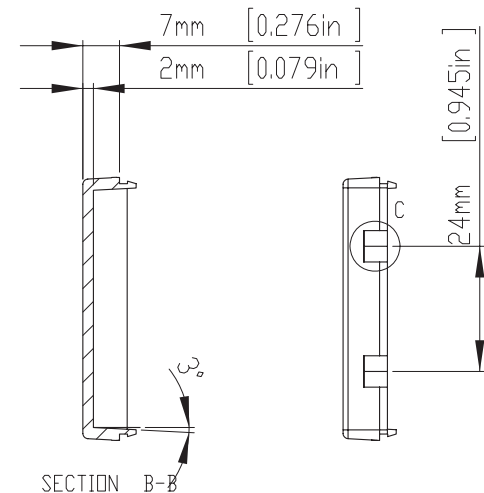
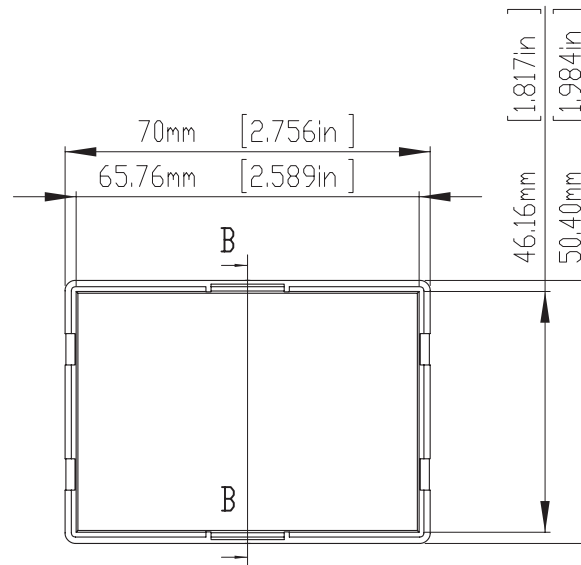


HOLES(4) ARE DESIGNED FOR M2.6X6mm SELF-TAPPING SCREWS USE.

WALL MOUNTING HOLES(2) X DIA.4.5mm FOR PAN HEAD(M4) TAPPING SCREWS USE.



According to ISO 2768-m

Measuring DIM=L	Tolerances
0.5<L<=3.0mm	±0.1mm
3.0<L<=6.0 mm	±0.1mm
6.0<L<=30.0 mm	±0.2mm
30.0<L<=120.0 mm	±0.3mm
120.0<L<=400.0 mm	±0.5mm
400.0<L<=1000.0 mm	±0.8mm

	DRA'D BY	DATE	MATE.	TITLE:	DWG NO:	REVISID:
		2013/10/01	ABS	NUB705017		A

ITEM	DESCRIPTION	MATERIAL	COLOR	PANTONE COLOR CORD	CLOSE TO RAL CORD
1	NUB705017BK	ABS<UL94-HB>	BLACK	PANTONE BLACK U	RAL 9005
2	NUB705017WH	ABS<UL94-HB>	WHITE	PANTONE 420C	RAL 9002
3	NUB705017OR	ABS<UL94-HB>	ORANGE	PANTONE 165C	RAL 2004
4	NUB705017RD	ABS<UL94-HB>	RED	PANTONE 186C	RAL 3027

宣又實業有限公司
GAINTA INDUSTRIES LTD.

繪圖 DRA'D BY
JACKY

日期 DATE
2013/10/01

材質 MATE.
ABS

圖名TITLE:
NUB705017

圖號DWG NO:

版次REVISID:
A