



# 啓運興業股份有限公司

CHE YEN INDUSTRIAL CO., LTD.  
— Auto Fuse Manufacturers —

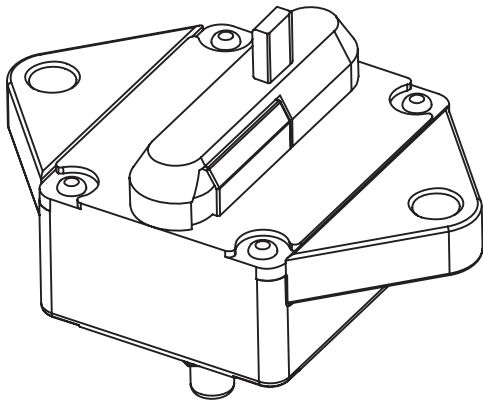


地址: 235 台北縣中和市立德街108號3樓  
Office: 3rd Fl., 108 Lite St., Chungho, Taipei Hsien, 235 Taiwan.  
Tel: +886-2-2223-8500 Fax: +886-2-2223-5708  
Website: <http://www.che-yen.com.tw>  
E-mail : borfuse@che-yen.com.tw  
borfuse@ms29.hinet.net

品名 ITEM NO.	GCB Series	圖名 MODEL	Manual Reset Circuit Breaker	製圖 DRAWN	校對 DESIGNED BY	核准 APPROVED
版次 REVISION NO.	日期 DATE	改定內容 REVISION	修改者 CHANGE BY	J.L. CHAO	Thomas Lin	James Lin
1.0	03.03.2009					

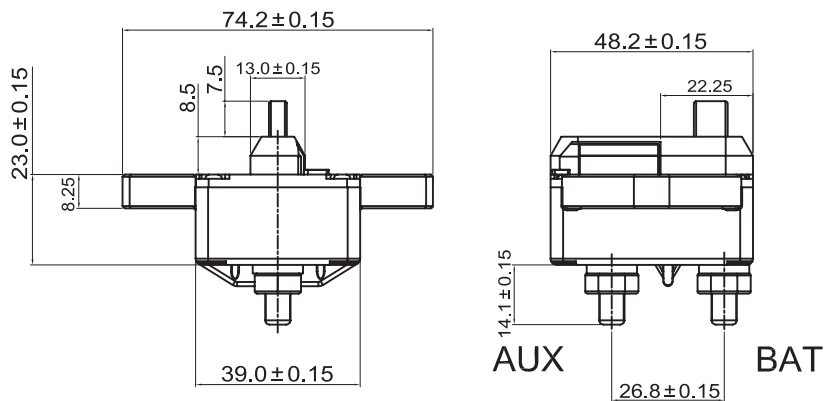
## Applications:

Typically used in auxilliary and accessory circuits-trucks, buses, RV's and marine applications. Others might include battery chargers and DC audio systems.



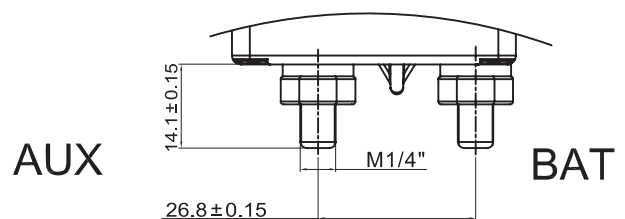
## Specifications :

- Manual Reset Design Waterproof.
- Ratings: 30A to 150A ; 32 / 42VDC.
- Interrupt Rating: 3000 A @ 30 VDC.
- Operating Temperature: -32°C to 92°C.
- Storage Temperature: -34°C to 149°C.
- Testing: SAE J1625, SAE J1171(Ignition Protected)
- Housing: Thermoset plastic, UL rated 94VO,
- Mounting: Panel.
- Product meets RoHS.



## Ordering Information

Part Number	Ampere (A)	Part Number	Ampere (A)
GCB-30	30 A	GCB-90	90 A
GCB-40	40 A	GCB-100	100 A
GCB-50	50 A	GCB-120	120 A
GCB-60	60 A	GCB-135	135 A
GCB-70	70 A	GCB-150	150 A
GCB-80	80 A		



Stud size, 1/4", 28 thread per inch  
Use ring terminals

Scale : mm

尺寸依據圖示數字 DON'T SCALE DRAWING	單位 UNIT	mm	一般公差 TOLERANCE CLASS	± 0.2	* 工程承認圖面 *
---------------------------------	------------	----	-------------------------	-------	------------