

T-108EX60(3D Full HD 1080P 8 Way Over Single Cat5e/6 Splitter)

HDMI SPLITTER

User Manual

HDMI 8 Way Over Single Cat5e/6 Splitter
(3D Full HD 1080P)

Bring High-Definition to your life!

T-108EX60(3D Full HD 1080P 8 Way Over Single Cat5e/6 Splitter)

Thank you for purchasing our product. To ensure safety and many years' trouble-free operation of the product, please read the manual carefully before using this product.

1.0 Introduction:

HDMI Splitter is a product which can distribute HDMI signal without loss to one or more high definition display device such as HDTV. It can optimize your home theatre system to the best effect.

HDMI signal is distributed from source device such as DVD, Satellite Receiver, Set-Top Box, DV Camera, A/V Receiver and other HDMI enabled device to high definition display device such as HDTV and HDMI Flat panel Display.

2.0 Features:

1. One HDMI input signal split to eight HDMI sink devices(eight outputs is the RJ45 output).
2. Fully HDMI 1.3 specification compliant. It is applicable to source device and high definition display device ,such as DVD and HDTV which have HDMI Ports or digital ports and are compliant with HDCP protocol.
3. Support high resolutions up to 1920*1200,including 480i/p,576i/p,720i/p,1080i/p.
4. Support 30/36 dark, extended color space support, including:SYCC601 、 Adobe RGB 、 AdobeYCC601.
5. Blu-ray DVD 24/50/60fs/HD-DVD/xvYCC.
6. Audio formats DTS-HD/Dolby-trueHD/LPCM7.1/DTS/Dolby-AC3 and DSD.
7. Extend the transmission distance and improve transmission signal.
8. Compatible with DVI by using HDMI to DVI adapter.
9. Plug- and -play.
- 10.Support output up to 60metres CAT6 cable.
- 11.Metal casing design and overall shielding without signal interference.
- 12.Led indicates signal and power mode.
- 13.Power supply (please refer to technical parameter).
- 14.Support 3D

3.0 Packaging accessories:

1. HDMI 1x8 Splitter-----1 Pcs
2. HDMI Receiver-----8 Pcs
3. 5V DC Power Adaptor-----9 Pcs
4. User Manual-----1 Pcs

4.0 Technical parameters

HDMI resolution-----3D /1080p/1080i/720p/576p/576i/480p/480i

Support video color format-----24bit/deep color 30bit,36bit

Support audio format -----DTS-HD/Dolby-trueHD/LPCM7.1/DTS/Dolby-AC3/DSD

Max bandwidth-----250MHz

Max baud rate-----6.25Gbps

Input/Output TMDS signal-----0.5~1.5Volts p-p(TTL)

Input/Output DDC signal-----5Volts p-p (TTL)

Input cable distance-----≤10m AWG26 HDMI standard cable

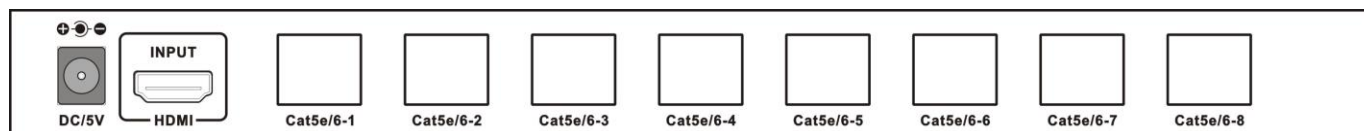
T-108EX60(3D Full HD 1080P 8 Way Over Single Cat5e/6 Splitter)

Output cable distance----- ≤60m Cat5e/6 cable
Max working current-----1800mA
Power adapter format Input -----AC (50HZ, 60HZ) :100V-240V; Output: DC5V/2A
Operating Temperature range-----(-15 to +55℃)
Operating Humidity range-----5 to 90%RH (No Condensation)
Dimension (L x W x H)-----Splitter:276x110x25 (mm)
Receiver:82x43.5x25(mm)
Weight-----1550g(splitter+Receiver)

5.0 Panel Introduction



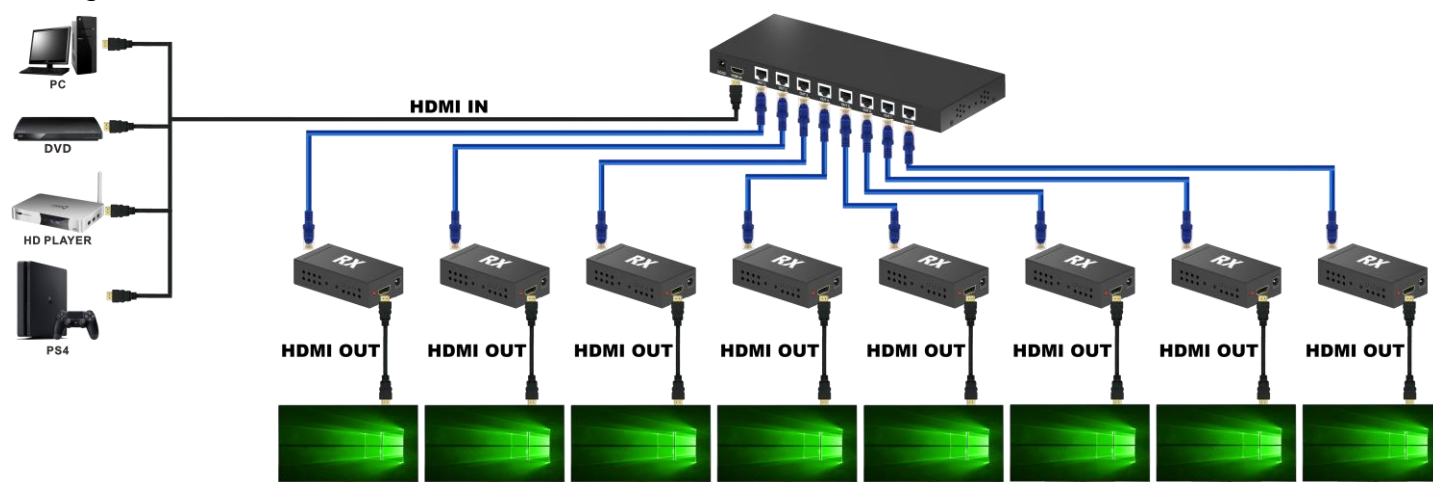
Output Status -----Cat5e/6 Output Status
Input Status -----HDMI Input Status
Power -----Power status indication
Reset -----Reset button
ON/OFF-----Power button



DC/5V -----DC 5V Input Port
HDMI Input -----HDMI Input Port
Cat5e/6-1-----Cat5e/6-8: RJ45 Output Ports

6.0 Connection diagram

Using Splitter and Receiver pairing, you can achieve the transmission of HDMI signals to 60 meters, through the Cat5e/6 Cable.



6.01 Connect the HDMI cable between signal source and input port of Splitter.

6.02 Connect the Network cable between output port of Splitter and Receiver.

T-108EX60(3D Full HD 1080P 8 Way Over Single Cat5e/6 Splitter)

- 6.03 Connect the HDMI cable between output port of Receiver and HDTV.
- 6.04 Connect splitter and Receiver power adapter.
- 6.05 Open the signal source and the power of HDTV, then it works.

Explanation: With different brands of the input or output device, the length of the connecting cables will differ too.

7.0 Installation and Precautions

To avoid electric shock , product damage and to protect your safety , please notice the following:

- 1.Please slowly plug or unplug signal cables and do not often plug , unplug , or shake them.
- 2.The equipment should not be placed under the sun , rain and damp or unventilated environment.
- 3.Liquid items should not be placed on the equipment.
- 4.Do not install the equipment near heat sources such as fire , power , or other amplifiers that produce heat.
- 5.Do not insert the metal or other objects to the equipment in addition to connecting cables to ports.
- 6.Do not demolish the equipment by yourself ; it should be maintained by professional maintenance staff.