

USER MANUAL

SPDIF/TosLink Digital Optical Audio 1x3 Splitters

Model No: AA6192

INTRODUCTION

Dear customer

Thank you for purchasing this product. For optimum performance and safety, please read these instructions carefully before connecting, operating or adjusting this product. Please keep this manual for future reference.

Our series of converters, switchers, extenders, matrixes and splitters are designed to make your A/V device use more convenient, more comfortable, more productive and more cost-efficient.

This SPDIF/TosLink Digital Optical Audio splitters can let the user to connect and distribute one digital optical SPDIF Toslink source to three amplifier.

Our devices offer solutions for noise, space and security concerns, data center control, information distribution, conference room presentation, school and corporate training environments.

FEATURES

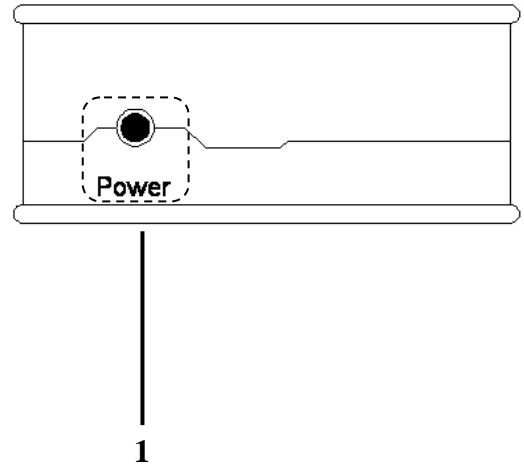
- One ways of optical fiber signal input splitter to three sets of SPDIF/TosLink signal receiving device.
- Audio format support : LPCM2.0/DTS/Dolby-AC3
- Support signal retiming
- Used optical fiber cable loss less the 0.2Db/m, Output distance is up to 40m.
- Over-voltage protection can prevent the damage caused by connecting unmatched power adapter to the machine
- No loss of quality
- Installs in minutes
- Need DC5V/500mA power supply

The accessories with the machines lists:

1. 5V Power Adaptor
2. Operation Manual

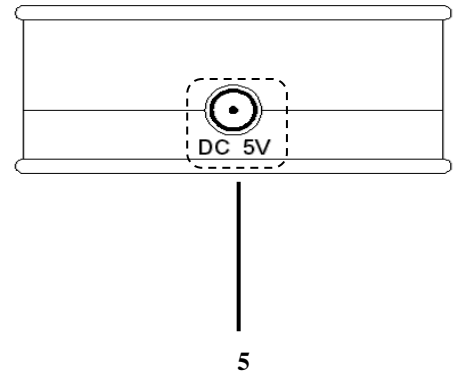
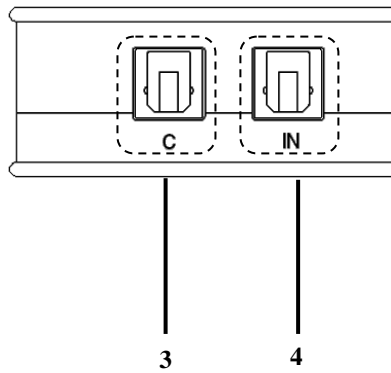
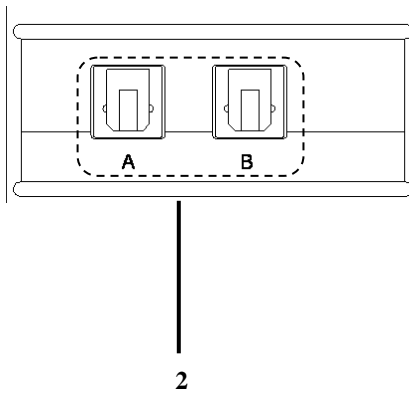
Physical Connection Showing Picture:

Figure 1.0



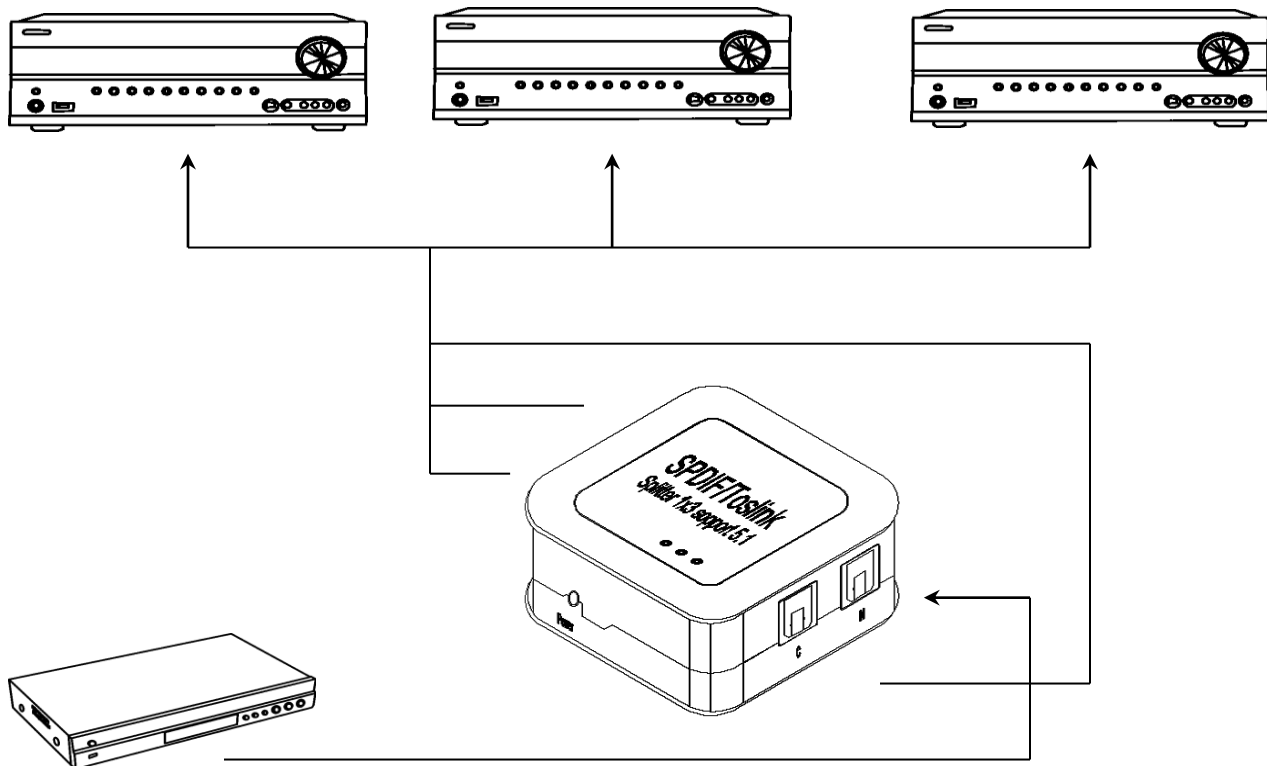
1. Power indication

Figure 1.1



- 2. SPDIF/TosLink output port A,B
- 3. SPDIF/TosLink output port c
- 4. SPDIF/TosLink input port
- 5. DC/5V Power Adaptor Interface

Operating and Connecting:



1. To use the optical fiber cable to connect the optical fiber signal source (such as blue-ray player, the computer and so on) with the splitter input.
2. To let the splitter output port connected to the optical fiber signal receiver (such as amplifier, home theater and so on) by using the optical cable.
3. Connect 5V power supply to the splitters DC input port

SPECIFICATIONS:

ADSP0103M1

| | |
|----------------------------------|--|
| Support audio format..... | LPCM2. 0/DTS/Dolby-AC3 |
| Peak wavelength..... | 650nm |
| Max baud rate..... | 16Mbps |
| Output cable distance | ≤40m(Use the optical fiber cable loss less the 0.2Db/m) |
| Max working current..... | 100mA |
| Power adapter format..... | Input:AC (50HZ, 60HZ) 100V-240V; Output: DC5V/500mA |
| Operating Temperature range..... | (0 to +40°C) |
| Operating Humidity range..... | 5 to 90%RH (No Condensation) |
| Dimension (L x W x H)..... | 54x54x23.5 (mm) |
| Weight..... | 35g |

Notes:

Pls use the machine as the instruction listed to keep the long use lifetime of the machine.

1. The machine should be placed at the spot far from the Damp, High-Temperature, Dusty, Erosive, and oxidative environment.
2. All parts will be free from the strong shake, hit, fall.
3. Touching the power adaptor with the wet hands is prohibited.
4. Pls hold the power adaptor head and do not pull the power cord when cut off from the socket.
5. Pls turn the power off when the machine is not used for long time.
6. Pls do not open the cover and do not touch the inside parts.
7. Pls use the original factory power adaptor.

Before power on, pls check the connection line carefully. And make sure that all interfaces are normally connected. The common trouble shooting way shows below:

| Serial NO | Trouble Description | Cause and Ways to deal with |
|-----------|---------------------|---|
| 1 | Non-Power-Connected | 1、 Check if the power adaptor head is truly and correctly inserted the power socket. 2、 Check the power switch if it is in on status. |
| 2 | No sound output | 1、 Check the signal receiving equipment and the machine connection are in good condition. 2、 To check if the signal source is on and well connected. 3、 Check the system connection quality. 4、 Check if the line is all good quality. |
| 3 | Sound interrupted | 1、 To try again to connect the cable to be free from the unsuccessful connection. |