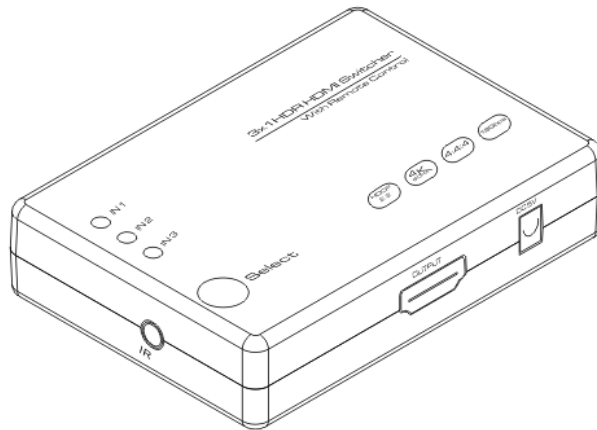


User Manual

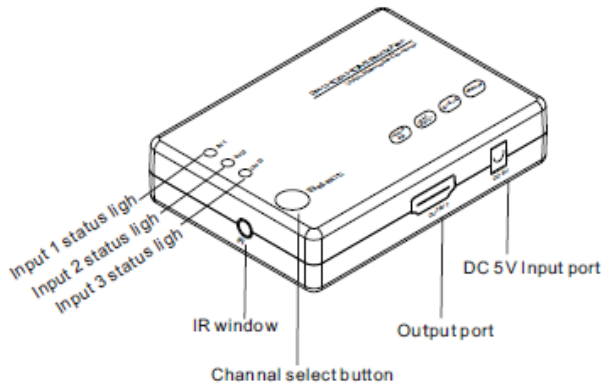
3 Port HDR HDMI Switcher

Model: AA6124

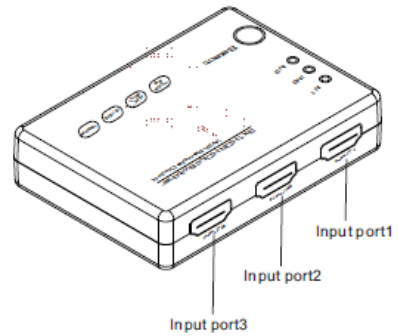


INTRODUCITON

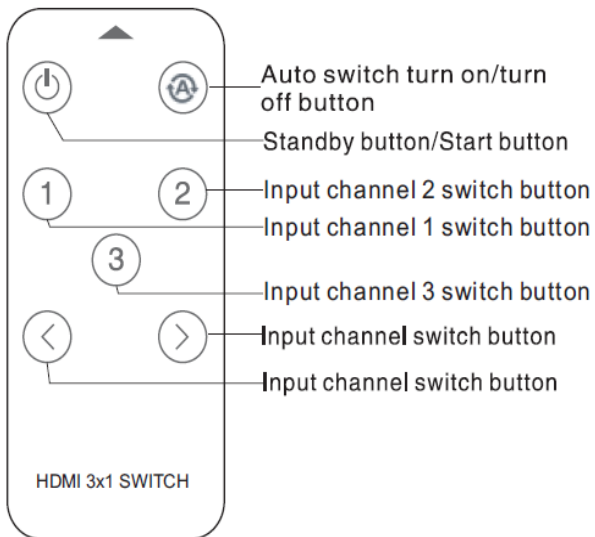
Picture 1.0 front panel showing



Picture 1.1 rear panel showing

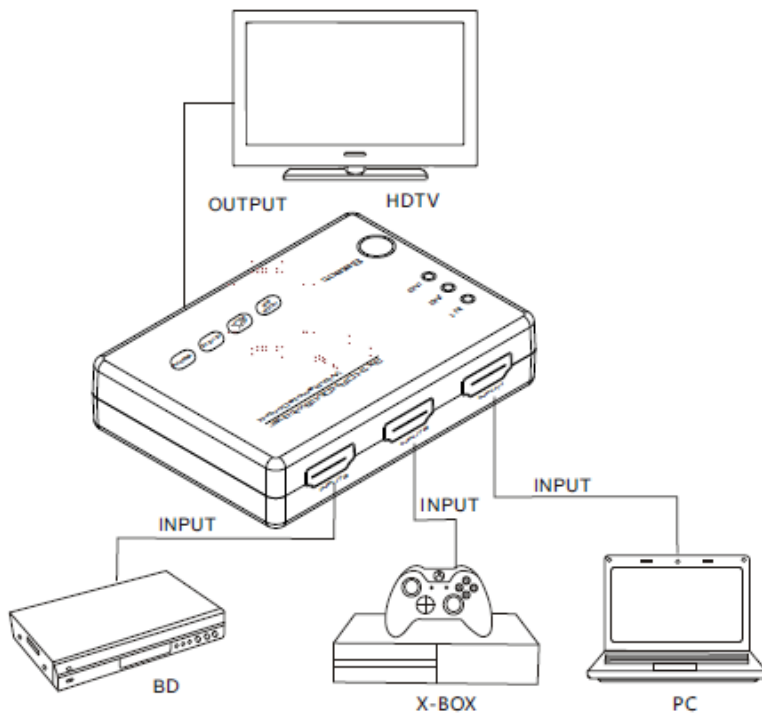


Picture 1.2 IR panel showing



* Please take out the film at the rear of the remote before you use. Please insert the film to remote rear if you do not use the remote for long time.

Connection and operation:



1. To use HDMI cable to connect the HD source with the HDMI input port of device.
2. To use HDMI cable to connect the HDMI output port of device with the display.
3. To use the USB 2.0 TO DC 5.5MM power cable to connect the DC5V Port of the device with USB Power source like TV or USB Power Docking.
4. Then press again the "Switch" button at device or press the button at remote to operate the device.
5. To press the "A" button at remote or press the "Select" button for lasting five seconds, it can turn on or turn off the auto switch function. When the input channel led light flash for one time, the auto switch is turned on; when the input channel led light flash for three times, the auto switch function is closed.

Spec:

Mode No	AA6124
Mode name	3 Port HDR HDMI switcher
Input channel	3 port
Output channel	1 port
Video format	480P/720P/1080P/2160P
Deep color	8/10/12Bit@480P/720P/1080P 8Bit@2160P
Audio format	Dolby HD/DTS HD/Dolby Atoms/Dolby AC3/DTS/LPCM.....
Transmission bandwidth	25~600MHz
Transmission rate	0.75~18Gbps
Auto switch	Support
IR distance	≥4m
Timing	Support
Input cable length	2160P/AWG 26 ≤5m 1080P/AWG 26 ≤10m
Output cable length	2160P/AWG 26 ≤5m 1080P/AWG 26 ≤10m
DC input specification	DC 5V/1A
Max working current	220mA
Working temperature range	0 ~ +40℃
Working humidity range	5 to 85%RH (No Condensation)
Storage temperature	-15 to 55℃
Storage humidity	5 ~95%RH(No Condensation)
Size	82x58.5x18.4(mm)
Weight	48g
Accessories	Manual, Remote, USB Cable